



Bastrop County
REQUEST FOR BIDS

Bid Reference Number: RFB 24BCP05B

Project Title: Land Clearing, Tree Removal, Stump Grinding and Fence Construction

Bid Closing Date: 2 :00 P.M. (CST), May 14, 2024

Table of Contents..... Page 2

Request for Bids

(1) IntroductionPage 3

(2) Definitions Page 3

(3) General InformationPage 4

(4) RFB Withdrawals and/or Amendments Page 6

(5) Bid Submittal RequirementsPage 6

(6) Bid Evaluation and Contract AwardPage 7

Appendix A – Scope of Services

(1) Project TitlePage 9

(2) Scope of Services ContactPage 9

(3) Bid Evaluation FactorsPage 9

(4) Key Events Schedule.....Page 9

(5) Scope of ServicesPage 9

BID SHEET.....Page 20

Appendix B – Bid

Bid Verification.....Page 22

I. Contract Award Information

(1)Term of Contract.....Page 23

(2)Federal, State and/or Local Identification InformationPage 23

II. Contract Terms and Conditions

Standard Terms and Conditions.....Page 23

RFB Acknowledgement Form.....Page 29

Appendix C – Form CIQ.....Page 30

Appendix D – Certificate of Interested Parties (Form 1295)Page 32

Appendix E – HB 89 Verification Form.....Page 35

Appendix F – Bastrop County Section 3 Resolution.....Page 36

Appendix G – Anti-Lobbying Certification.....Page 40

Appendix H – Contractor’s Certification of Recovered Material.....Page 42

1. Introduction

- A. Project Overview: Bastrop County is requesting Bids with the intent of awarding a contract for the purchase of goods and services contained in Appendix A – Scope of Services.
- B. RFB Questions:
- I. RFB Clarifications: All questions related to requirements, processes, or scope of work for this RFB should be submitted in writing to the Purchasing Agent identified in section 2 below. The County is the final judge of the meaning of any word(s), sentences, paragraphs, or other parts of the solicitation documents. Bidders are encouraged to seek clarification, before submitting a Bid, of any portion of the Bid documents that appears to be ambiguous, unclear, inconsistent, or otherwise in error. Clarifications will be in writing.
 - II. Replies: Responses to inquiries which directly affect an interpretation or effect a change to this RFB will be issued in writing by addendum and will be uploaded to the Bastrop County website (<http://www.co.bastrop.tx.us/page/pur.bids>). All such addenda issued by County prior to the submittal deadline shall be considered part of the RFB. The County shall not be bound by any reply to an inquiry unless such reply is made by such formal written addendum.
 - III. Acknowledgement of Addenda: The Bidder must acknowledge all addenda by signing and returning such document(s) or by initialing appropriate area of the Bid.
- C. Notification of Errors or Omissions: Bidders shall promptly notify the County of any omissions, ambiguity, inconsistency, or error that they may discover upon examination of this RFB. The County shall not be responsible or liable for any errors and/or misrepresentation that result from the solicitations which are inadvertently incomplete, ambiguous, inconsistent, or obviously erroneous.
- D. Conflict of Interest Questionnaire (Form CIQ): A person or business, and their agents, who seek to contract or enter into an agreement with the County, are required by Texas Local Government Code, Chapter 176, to file a conflict-of-interest questionnaire (FORM CIQ) which is found in Appendix C.
- E. Certificate of Interested Parties (1295 Form): A person or business, and their agents, who seek to contract or enter into an agreement with the County, are required by Texas Local Government Code Chapter 2252, Subtitle F, Title 10, Section 2252.908, to file a disclosure of interested parties with the Texas Ethics Commission (https://www.ethics.state.tx.us/whatsnew/elf_info_form1295.htm). A sample form and instruction sheet can be found in Appendix D.
- F. House Bill 89 Verification Form: A person or business, and their agents, who seek to contract or enter into an agreement with the County, are required by Texas Local Government Code Chapter 2270 Section 1, Subtitle F, Title 10, Section 2270.001 to submit a verification form to the County. This Chapter reads “Prohibition on Contracts with Companies Boycotting Israel”. This form is found in Appendix E.
- G. Texas Senate Bill 13 (Sb 13): Energy Company Boycotts: If contractor is required to make a verification pursuant to section 2274.002 of the Texas Government Code, contractor verifies that it does not boycott energy companies and will not boycott energy companies during the term of the contract. If the contractor does not make that verification, the contractor must indicate in its response and state why the certification is not required.
- H. Texas Senate Bill 19 (Sb 19): Firearm Entities And Trade Associations Discrimination: If contractor is required to make a verification pursuant to Section 2274.002 of the Texas Government Code, contractor verifies that it

(1) does not have a practice, policy, guidance, or directive that discriminates against a firearm entity or firearm trade association and (2) will not discriminate during the term of the contract against a firearm entity or firearm trade association. If the contractor does not make that verification, the contractor must so indicate in its response and state why the verification is not required.

- I. 2 CFR 200: In accordance with PART 200 of the UNIFORM ADMINISTRATIVE REQUIREMENTS, COST PRINCIPLES, AND AUDIT REQUIREMENTS FOR FEDERAL AWARDS, Bastrop County follows the procurement standards in the Code of Federal Regulations of 2 CFR 200.317 – 2CFR 200.327 and Appendix II to Part 200 for procurement actions to be funded with Federal funds.

2. Definitions

Bid: The signed and executed submittal of the entirety of Appendix B – Bid.

Bidder: The Bidder and the Bidder’s designated contact signing the first page of the Bid.
County of Bastrop (“County”): The County of Bastrop, Texas.

Bastrop County Purchasing Office: The Bastrop County Purchasing Office is located at 803 Pine Street, Room 101, Bastrop County 78602. PH: (512) 581-7110; Fax: (512) 581-4228.

Project: The name is identified on the cover sheet and first page of Appendix A – Scope of Services.

Purchasing Agent: Bastrop County Purchasing Agent is Leon Scaife:
Phone: (512) 581-7110
E-Mail: leon.scaife@co.bastrop.tx.us

Request for Bids (RFB): The entirety of this document, including all Appendices and Addenda.

Scope of Services: The entirety of Appendix A – Scope of Services.

3. General Information

Tax Exempt Status: County purchases are exempt from State Sales Tax and Federal Excise Tax. Do not include tax in the Bid. County will furnish Excise Tax Exemption Certificate upon request.

Public Inspection of Bids: The County strictly adheres to the Texas Public Information Act (Texas Government Code Chapter 552.001, et seq.) and all other governing statutes, regulations, and laws regarding the disclosure of RFB information. Bids are not available for public inspection until after the contract award. If the Bidder has notified the County, in writing, that the Bid contains trade secrets or confidential information, the County will generally take reasonable steps to prevent disclosure of such information, in accordance with the Public Information Act. This is a statement of general policy only, and in no event shall the County be liable for disclosure of such information by the County in response to a request, regardless of the County’s failure to take any such reasonable steps, even if the County is negligent in failing to do so.

Legal Relations and Responsibilities: Bidder shall maintain adequate records to justify all charges, expenses and costs incurred in performing the Services for a period of at least Five (5) years following the termination date of the contract. The County shall have full and complete access to all records, documents and information collected and/or maintained by Bidder in the course of the administration and performance of the Contract. This information shall be made accessible at Bidder’s local place of business in the County’s jurisdiction, for purposes of inspection, reproduction, and audit without restriction.

Application: These standard terms and conditions shall apply to all County of Bastrop (hereafter "County" or "Owner") solicitations and procurements, unless specifically accepted in the solicitation specifications.

Requirements: By submitting a Bid, the bidder agrees to provide the County of Bastrop with the specified goods or services described in the solicitation in accordance with these standard terms and conditions, at the agreed upon Bid price and in compliance with the stated specifications and any subsequent addendums issued prior to the date of the Bid opening.

Legal Compliance: Bidder must comply with all Federal, State and Local laws, statutes, ordinances, regulations and standards in effect at the time of delivery of goods and services and must maintain any and all required licenses and certificates required under the same laws, statutes, ordinances, regulations and standards for services and/or goods provided in response to this solicitation. Bidder certifies that he/she holds all licenses required by the State of Texas for a provider of the goods and/or services described by the Scope of Services herein.

Right to Refuse Bid: The County reserves the right to refuse any and/or all parts of any and or/all Bids and to waive formalities in the best interest of the County. Bastrop County does not discriminate on the basis of race, color, national origin, sex, religion, and age or disability status in employment, procurement or provisions of service.

Estimated Quantities: If the solicitation calls for unit pricing on specific items, the quantities described for each item are estimates only and not guaranteed amounts. The actual amount ordered over the contract period may be more or less than the estimate. Quantities represent the County's best estimate, based on past history and anticipated purchases.

Independent Contractor: Bidder agrees that Bidder and Bidder's employees and agents have no employer-employee relationship with County. Bidder agrees that if Bidder is selected and awarded a contract, County shall not be responsible for the Federal Insurance Contribution Act (FICA) payments, Federal or State unemployment taxes, income tax withholding, Workers Compensation Insurance payments, or any other insurance payments, nor will County furnish any medical or retirement benefits or any paid vacation or sick leave.

Assignments: The rights and duties awarded the successful Bidder shall not be assigned to another without the written consent of the Bastrop County Purchasing Agent. Such consent shall not relieve the assigner of liability in the event of default by the assignee.

Liens: Bidder shall indemnify and save harmless the County against any and all liens and encumbrances for all labor, goods, and services which may be provided to the County by Bidder or Bidder's vendor(s), and if the County requests, a proper release of all liens or satisfactory evidence of freedom from liens shall be delivered to the County.

Gratuities/Bribes: Bidder certifies that no bribes in the form of entertainment, gifts, or otherwise, were offered or given by the successful Bidder, or its agent or representative, to any County officer, employee or elected representative, with respect to this RFB or any contract with the County, and that if any such bribe is found to have been made this shall be grounds for voiding of the contract

Financial Participation: Bidder certifies that it has not received compensation from the County to participate in preparing the specifications or RFB on which the Bid is based and acknowledges that this contract may be terminated and/or payment withheld if this certification is inaccurate.

Responsiveness of Bids: The County desires to receive competitive Bids but will declare any Bids "non-responsive" if they fail to meet the significant requirements outlined in this solicitation document.

Discrepancies and Errors: The lump sum price of a bid that has been opened may not be changed for the purpose

of correcting an error in the Bid price.

Identical Bids: In the event two or more identical Bids are received, and are lowest, responsible, and responsive, award will be made as prescribed in the Texas Local Government Code, Chapter 2.62.027(b).

Withdrawal of Bids: Bidders may withdraw any submitted bids prior to the bid submission deadline. Bidders may not withdraw once the bids have been publicly opened, without the approval of the County's Purchasing Agent. Bidders will be allowed to withdraw bids that contain substantial mathematical errors in extension. However, once a bid has been withdrawn, it can no longer be considered.

Disqualification of Bidder: The County may disqualify bidders, and their bids not be considered, for any of the following reasons: Collusion among bidders; bidder's default on an existing or previous contract with the County, including failure to deliver goods and/or services of the quality and price bid; bidder's lack of financial stability; any factor concerning the bidder's inability to provide the quantity, quality, and timeliness of services or goods specified in the solicitation; bidder involved in a current or pending lawsuit with the County; bidder's attempt to influence the outcome of the solicitation through unauthorized contact with County officials outside of those listed in the solicitation documents; and bidder's attempt to offer gifts, gratuities, or bribes to any County employee or elected official in connection with a solicitation.

Waiver of Formalities: County reserves the right to reschedule, extend, or cancel this RFB at any time. County reserves the right to reject any or all responses, and to waive formalities or irregularities in connection with this RFB and may consider submissions not made in compliance with this request for bids if it elects to do so, to the extent permitted by law, although the County will have no obligation for such consideration. The County reserves the right to waive any minor irregularities that do not materially affect the scope or pricing of submitted Bids.

Outstanding Liabilities: Bidders shall not have outstanding, unpaid liabilities owed to the County. Liabilities may include, but are not limited to, property taxes, hotel occupancy taxes, and license or permit fees. Bids will be considered non-responsive and not given further consideration if submitted by a bidder with such outstanding liabilities.

Offset: The County may, at its option, offset any amounts due and payable under contract award under this solicitation against any debt lawfully due the County from a vendor, whether or not the amount due arises pursuant to the terms of the contract and whether or not the debt has been reduced to judgment by a court.

Solicitation Results: The County normally posts solicitation results on-line after bids are received and approved in the Commissioner's Court. The County's website is www.co.bastrop.tx.us. Results are on the Purchasing Solicitation page, in the same place as the original solicitation documents. Posted results are for informational purposes only, not a notice of award.

Control of The Work: Bidder shall furnish all materials and perform work in reasonably close conformity with the scope of work referenced in this request for Bid. The bidder must obtain written approval from Bastrop County before deviating from the scope of work provided in this request for bids. Failure to promptly notify Bastrop County of any errors or concerns with the scope of work will constitute a waiver of all claims for misunderstandings or ambiguities that result from the errors, omissions, or discrepancies discovered.

Cost of Bid: The cost of submitting Bids shall be borne by the Bidder, and the County will not be liable for any costs incurred by the Bidder responding to this solicitation.

4. RFB Withdrawals and/or Amendments

RFB Withdrawal: The County reserves the right to withdraw this RFB for any reason.

RFB Amendments: The County reserves the right to amend any aspect of this RFB by formal written Addendum prior to the bid submittal deadline and will endeavor to notify all potential bidders that have registered with the County, but failure to notify shall impose no obligation or liability on the County. All modifications and addendums must be in written form prepared by the County department issuing the solicitation. Bidder is responsible for incorporating any and all modifications and addendums into their bids.

5. Bid Submittal Requirements

Submittal Packet – Required Content: Bidder shall submit one (1) signed original Bid. This submittal packet shall be submitted in a sealed envelope with all completed, signed documents listed on Appendix B (Page 22).

Submittal Deadline: The deadline for submittal of Bids is 2:00PM (CST) May 14, 2024. It is the Bidder's responsibility to have the Bid correctly marked and hard copies delivered to the Bastrop County Purchasing Office. No extensions will be granted, and no late Bids will be accepted.

Bids Received Late: Bidders are encouraged to submit their Bids as soon as possible. The time and date of receipt as recorded in the Bastrop County Purchasing Office shall be the official time of receipt. The County is not responsible for late delivery of mail or another carrier. Late Bids will not be considered under any circumstances.

Alterations or Withdrawals of Bid: Any submitted Bid may be withdrawn, or a revised Bid substituted if a written notice is submitted to the Bastrop County Purchasing Office prior to the submittal deadline. Any interlineations, alteration, erasure or other amendment made before the submittal deadline, must be signed or initialed by the Bidder or the Bidder's authorized agent, guaranteeing authenticity. Bids cannot be altered, amended, or withdrawn by the Bidder after the submittal deadline.

Bid Format: All Bids must be prepared in single-space type, on standard 8-1/2" x 11" vertically oriented pages, using one side of the paper only. Pages shall be numbered at the bottom. Entries shall be typed, or legibly written in ink. All Bids shall be mailed, or hand delivered to Bastrop County. Any other format (via telephone, fax, email, etc.) shall be rejected by the County.

Validity Period: Once the submittal deadline has passed, any Bid shall constitute an irrevocable Bid to provide the commodities and/or services set forth in the Scope of Services at the price(s) shown in the Bid on the terms set forth in the Bid, such Bid to be irrevocable until the earlier of the expiration of ninety (90) days from the submittal deadline, or until a contract has been awarded by the County.

6. Bid Evaluation and Contract Award

Bid Evaluation and Contract Award Process: An award of a contract to provide the goods or services specified herein will be made using competitive sealed bids, in accordance with Chapter 262 of the Texas Local Government Code, Chapter 2269 of the Texas Government Code and with the County's purchasing policy. All bids should be based on a lump sum price (Cost to complete all tasks listed within Appendix A to include all necessary bonds and insurance). Bastrop County will score all eligible respondents based on their bid price. The contract will be given to the lowest/best value/most responsive bidder that complies with all requests for bid items and requirements set forth by Bastrop County in this RFB, to include bonds, insurance requirements and Bastrop County may consider: 1) price: 2) the offeror's experience and reputation: 3) the quality of the offeror's goods and/or services: 4) the impact on the ability of the Governmental entity to comply with rules relating to historically underutilized businesses: 5) the offeror's safety record: 6) the offeror's proposed personnel: 7) whether the offeror's financial capability is appropriate to the size and scope of the project. The selected bidder must NOT be debarred from any federal and/or state agency and Bastrop County will conduct a review of the bidder's status on SAM.Gov. The Bastrop County Commissioners Court will make the final selection and award. The County has the right to reject any and/or

all Responses.

Completeness: If the Bid is incomplete or otherwise fails to conform to the requirements of the RFB, County alone will determine whether the variance is so significant as to render the bid non-responsive, or whether the variance may be cured by the bidder or waived by the County, such that the bid may be considered for award.

Ambiguity: Any ambiguity in the bid as a result of omission, error, lack of clarity or non-compliance by the bidder with specifications, instructions and all conditions shall be construed in the favor of the County. In the event of a conflict between these standard RFB requirements and details provided in Appendix A – Scope of Services or Appendix B – Bid, the Appendices shall prevail.

Controlling Document: In the case of a discrepancy between this solicitation and the formal contract, the formal contract will prevail and control.

Firm Prices: Unless otherwise stated in the specifications, Bidder's prices remain firm for 90 days from the date of Bid opening and, upon award, remain in effect for the contract period specified in the solicitation. If formal award has not occurred within 90 days of bid opening, the Contractor and the County may mutually agree to extend the firm price period.

Additional Information: County may request any other information necessary to determine bidder's ability to meet the minimum standards required by this RFB.

Debarment: The selected Bidder must NOT be debarred from any federal and/or state agency and Bastrop County will conduct a review of the Bidder's status on SAM.Gov. The Bastrop County Commissioners Court will make the final selection and award. The County has the right to reject any and/or all Responses.

****THE REMAINDER OF THIS PAGE LEFT BLANK INTENTIONALLY****

Appendix A – Scope of Services

1. **Project Title:** Land Clearing, Tree Removal, Stump Grinding and Fence Construction

2. **Scope of Services Contact:**

Questions about the technical nature of the Scope of Services, etc. may be directed to Bastrop County Purchasing Agent, Leon Scaife through e-mail at leon.scaife@co.bastrop.tx.us

3. **Bid Evaluation Factors:**

Bid Price	Factor
Cost Per Hour	Clearing of land to remove all vegetation and debris to allow for right-of-way expansion. Contractor shall burn or haul off all cleared debris.
Cost Per Cubic Yard	Vegetation and debris from land clearing that cannot be burned onsite shall be hauled off. This rate is a per cubic yard unit price for debris to be hauled off by the Contractor
Cost Per Linear Foot	Fence Construction: To include all material and labor cost. (Fence Construction and Materials Shall Follow the NRCS Barbed Wire – Conservation Practice Job Sheet – RI-382(a))
Cost Per Tree (Diameter)	Tree Removal: Contractor shall cut selected tree(s) to within three (3) inches of the ground. The cut tree(s) shall be disposed of, and all debris removed from the project site.
Cost Per Stump (Diameter)	Stump Grinding: Contractor shall grind stumps 4 to 6 inches below grade.

****Contract may be awarded to one or more contractors, depending upon the prices for each requested service (Tree Removal/Land Clearing/Stump Grinding/Fence Construction). Contract will be awarded to the best value/most responsive bidder(s)****

4. **Key Events Schedule:**

Bid Release Date:	April 24, 2024
Deadline for Submittal of Written Questions:	5PM, May 14, 2024
Sealed Bids Due to and Opened by County:	2PM, May 21, 2024
Anticipated Award Date:	June 2024

5. **Scope of Services:**

Bastrop County is requesting a quote for land clearing, tree removal, stump grinding and fence construction services that may be utilized any place within Bastrop County. Bastrop County Road and Bridge Precincts occasionally have a need for a third-party contractor to cut and fell dead, dying, infected or nuisance trees along Bastrop County roadways. The selected contractor shall cut all marked trees to within Three (3) inches of the ground. Contractor(s) may be asked to grind stumps below the surface of the ground. There will be a separate bid price for the stump grinding process. The contractor is responsible for the proper disposal of all cut trees, limbs and any vegetative debris resulting from the cutting and felling of any and all selected trees. The disposal method

of all cut trees, limbs and any vegetative debris is left up to the contractor and Bastrop County is not responsible for any additional cost for the disposal of the debris. The contractor will be responsible for all traffic control in the project area. No County roadway may be closed without written permission of the Precinct Commissioner. Any damage to private property that borders the project area where trees are being cut and fell, will be repaired and/or replaced by the contractor at no expense to Bastrop County.

Bastrop County Road and Bridge Precincts will occasionally have a need to expand the existing right-of-way and therefore may have a need for land clearing and fence construction. The selected contractor shall provide all of the necessary equipment and manpower to clear the land in preparation of the expansion of the Bastrop County right-of-way and replace the necessary fencing. Land clearing may consist of the removal of trees, brush, existing fencing, briars, refuse, rocks and/or dirt mounds. The selected contractor shall have proper equipment to handle any and all of the items needing to be cleared to allow the roadway to be expanded. All debris accumulated from the removal of the existing fencing and vegetation (trees and/or brush) are to be disposed of by the awarded contractor. Bastrop County anticipates all vegetative debris to be burned onsite and any remaining debris shall be properly disposed of by the contractor. Any debris that cannot be burned shall be disposed of in a manner that is in accordance with the State of Texas regulations for disposal of debris and refuse.

The replacement fencing at all locations shall be a five-strand barbed wire fence with treated wooden post, metal tee post and H-bracing. The contractor shall follow all recommendations of the NRCS "Barbed Wire – Conservation Practice Job Sheet – RI-382(a)" which is attached to this bid document as **EXHIBIT A (Pgs. 11 – 19)**. The contractor will be responsible for all traffic control in the project area. No County roadway may be closed without written permission of the Precinct Commissioner. Any damage to private property that borders the project area where trees are being cut and fell, will be repaired and/or replaced by the contractor at no expense to Bastrop County.

Bastrop County does not guarantee a specific number of requests for Land Clearing, Tree Removal, Stump Grinding and Fence Construction services. When Bastrop County does request the Land Clearing, Tree Removal, Stump Grinding and Fence Construction services, the awarded contractor shall provide Bastrop County with a written estimate (based on the unit prices provided in the response to this request for bids) for the requested project. The contract for the requested services will be utilized on a work order system. After the contractor provides a written estimate for the requested project, Bastrop County will issue a purchase order for the specific project requested by the Road and Bridge Commissioner and the issued purchase order will be considered the Notice to Proceed. The selected contractor SHALL mobilize and start work within Fifteen (15) days of receipt of a work order (Purchase Order) issued by Bastrop County. Should the project estimate exceed the State of Texas threshold for bonds (\$25,000 for payment bonds and \$100,000 for performance bonds), the awarded contractor SHALL provide all required bonds to Bastrop County before any work begins.

Any debris left at the requested project site, that must be removed by Bastrop County, will be charged back to the awarded contractor in the amount equal to the time (Hourly Rate of the Bastrop County Employee(s) and Equipment) required to remove all debris and the cost of disposal that Bastrop County is required to pay at a disposal facility, plus a \$500.00 liquidated damage fee. All costs associated with the non-removal of debris will be withheld from invoices submitted by the awarded contractor.

****REMAINDER OF THIS PAGE LEFT BLANK INTENTIONALLY****



United States Department of Agriculture
Natural Resources Conservation Service

Fence

Barbed Wire

Conservation Practice Job Sheet

RI-382(a)



Definition

A constructed barrier to livestock, wildlife, or people.

Purpose

This job sheet is provided as a component of a resource conservation plan. This practice may be applied to contain and control livestock and wildlife movement, facilitate a prescribed grazing system, protect sensitive areas from grazing livestock, and to eliminate access to unsafe areas.

Conditions where Practice Applies

This practice may be used on any area where a fence is needed to control access, movement and containment of livestock and wildlife and where people safety and movement is of

concern. Conservation plan maps showing the approximate fence location, complementary conservation practices, grazing schedule, other relevant information, and additional specifications may be included.

Barbed wire fence is not recommended for horses.

General Criteria and Specifications

All fence construction shall comply with federal, state, and local fencing codes. Practice Lifespan is 20 years.

Fence Line Clearing

Fence lines will be cleared of brush and trees; gullies and steep banks may require grading. Clearing along stream banks will be held to a minimum and no vegetation may be removed within the buffer area, except as required for stream crossings.

Fencing materials shall be of a quality and durability that meets the intended management objectives. Construction shall be performed in a manner that meets the intended management objective. Wire and hardware will be new, galvanized material.

Line Post

Maximum spacing between line posts is 16.5 feet. All wooden line posts shall be set at least 30” into the ground.

Suitable line posts

3½” in diameter wooden posts of black locust, red cedar (mostly heartwood), redwood, and pressure treated pine or other wood of equal life and strength. Pressure treatment shall meet the requirements for ground contact.

Steel posts must be new, and be painted or galvanized and weigh a minimum of 1.25 pounds per one foot of length. Post will be driven 18" in the ground or as specified by manufacturer. **Every 50 feet or 4th post will be wooden.**

The following steel posts are acceptable for line posts:

Style 1 – "T" Section 1-3/8" x 1-3/8" x 1/8" thick

Style 2 – "U" Section 2" x 1-1/4" x 3/32"

Style 3 – "L" Section 2" x 2" x 1/4"

Lightweight stamped-steel posts are not allowed.

Brace Posts

Posts shall be set and maintained in a vertical position. All wooden brace posts are to be 5" minimum diameter and set 3 feet into the ground. Horizontal rail brace posts are to be 4" minimum diameter by 8 feet long and be installed 8"-12" below the top of the vertical brace post.

Corners and Braces

Refer to drawings on pages 7 through 9 for fence brace configurations and spacing.

Single H Braces

Single H Brace corners and end braces may only be installed at the ends of straight fence spans of 165 feet or less.

Double H Braces

All corners, fence line ends and gate openings require Double H Brace assemblies, except that Single H Braces may be substituted in straight fence spans of 165 feet or less.

Double H Brace Pull Assemblies

Double H Brace pull assemblies are required in straight fence spans at a maximum spacing of 660 feet. Brace wire shall be high tensile, galvanized steel, or 9 gauge soft wire.

Adjoining Fences

A fence adjoining an existing fence must terminate in a brace assembly as required above.

Corners

A bend in the fence tighter than 20 degrees is considered a corner and not a "straight" pull brace. (In an 8-foot long brace section, 20 degrees is approximately 3 feet off the straight line. Refer to drawings). The above H brace rules apply to corners considering each wire-pull direction from the corner post. Combination single and double H corners are permitted.

If hand set, all backfilled material shall be thoroughly tamped in 4" layers. Post holes shall be at least 6" larger than the diameter or side dimension of the posts. Synthetic posts are to be installed as specified by the manufacturer. If concrete backfill is used, the concrete must be pre-mixed, and worked into place up to the ground surface. No stress shall be applied to posts set in concrete for at least 24 hours after the concrete has set.

Wire

All barbed wire shall consist of class 3 galvanized 4-point barbs spaced not more than 5" apart. Galvanized barbed wire shall be fabricated from 12-1/2 gauge class 1 galvanized or better or 15-1/2 gauge class 3 galvanized strand wire and shall meet the requirements of ASTM A121. HT Class 3 barbed 15 1/2 gauge wire meeting the requirement of ASTM A121 may also be used.

Wire Placement - see table 1 at end of job sheet for placement.

Wires may be equally spaced or spaced according to figure 3.

Stretching Wire

Barbed Wire – Should be pulled taut. In warm weather, a stretch of 100 feet (prior to attaching to posts) should sag no more than 4” in the middle and no more than 2” in cold weather.

Attaching Fencing to Post

The fencing wire shall be placed on the livestock side of line posts and on the outside of corners and posts in bends and braces in bends.

Each strand of barbed wire shall be attached to each wooden post using 9-gauge galvanized 1½” staples, driven diagonally with the grain of the wood and at a slight downward angle (except in dips). Staples shall not be driven tight to the post.

Wire splices shall be crimped or spliced with 8 wraps around the other (“Western Union Splice”).

The fencing shall be fastened to steel line posts with either 2 turns of 14 gauge galvanized steel wire or the post manufacturer’s special wire clips.

Stays and Battens

If used, stays may be made of rot-resistant wood, plastic, fiberglass, or heavy galvanized twisted wire. Stays should be properly fastened to each fence wire. Stay length shall be sufficient for attachment to all fence wires while maintaining correct wire spacing.

Other Considerations

Approved alternative fence systems include “Common Sense Fence” or other equivalent fencing systems, approved by an NRCS Resource Conservationist (RC), and installed to manufacturer’s recommendation as approved by RC.

Alternative fencing and bracing systems: Alternative fencing and bracing systems must be pre-approved by an NRCS Resource Conservationist (RC), and must be installed according to manufacturer’s recommendations as approved by the RC.

Fences across gullies or streams require special braces and design. Breakaway fences or swinging water gaps allow debris and water to flow past the fence line without destroying the adjacent fence.

Any permanent fencing for grazing livestock should allow flexibility to facilitate implementation of the grazing plan and permit land management activities such as nutrient application, pest control, forage harvest, and other appropriate practices.

Follow all manufacturers’ safety precautions for handling and installing fencing materials.

Locate fences to facilitate maintenance. Where applicable, clear right of ways should be established and maintained to facilitate fence construction and maintenance.

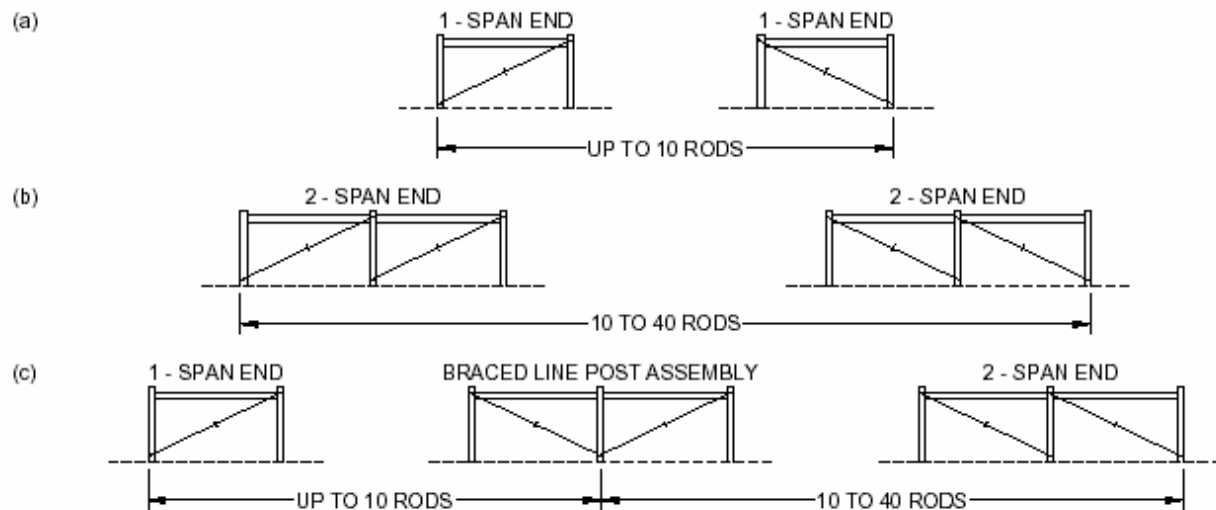
When possible, install fences across slopes to improve grazing distribution, rainfall infiltration, and reduce soil erosion.

Locate fences to facilitate livestock management, handling, watering, and feeding.

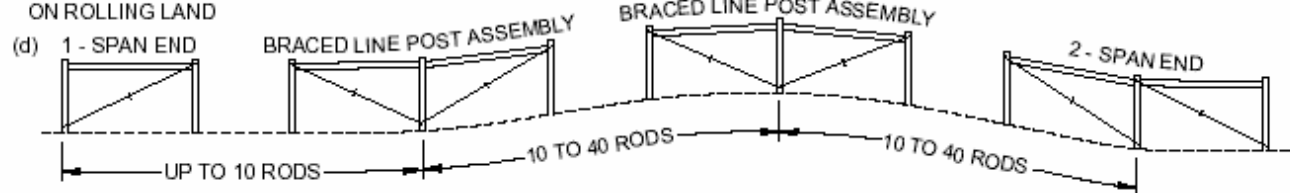
Consider placing permanent riparian stream fencing at the edge of the protected buffer or at least 2 times the active channel width from the top of the stream bank but never less than 10 feet. It is recommended that the stream fence have a maintenance gate installed.

Specification Guidesheet for fencing 382 (a)

STRAIGHT FENCES ON FLAT LAND



STRAIGHT FENCES ON ROLLING LAND

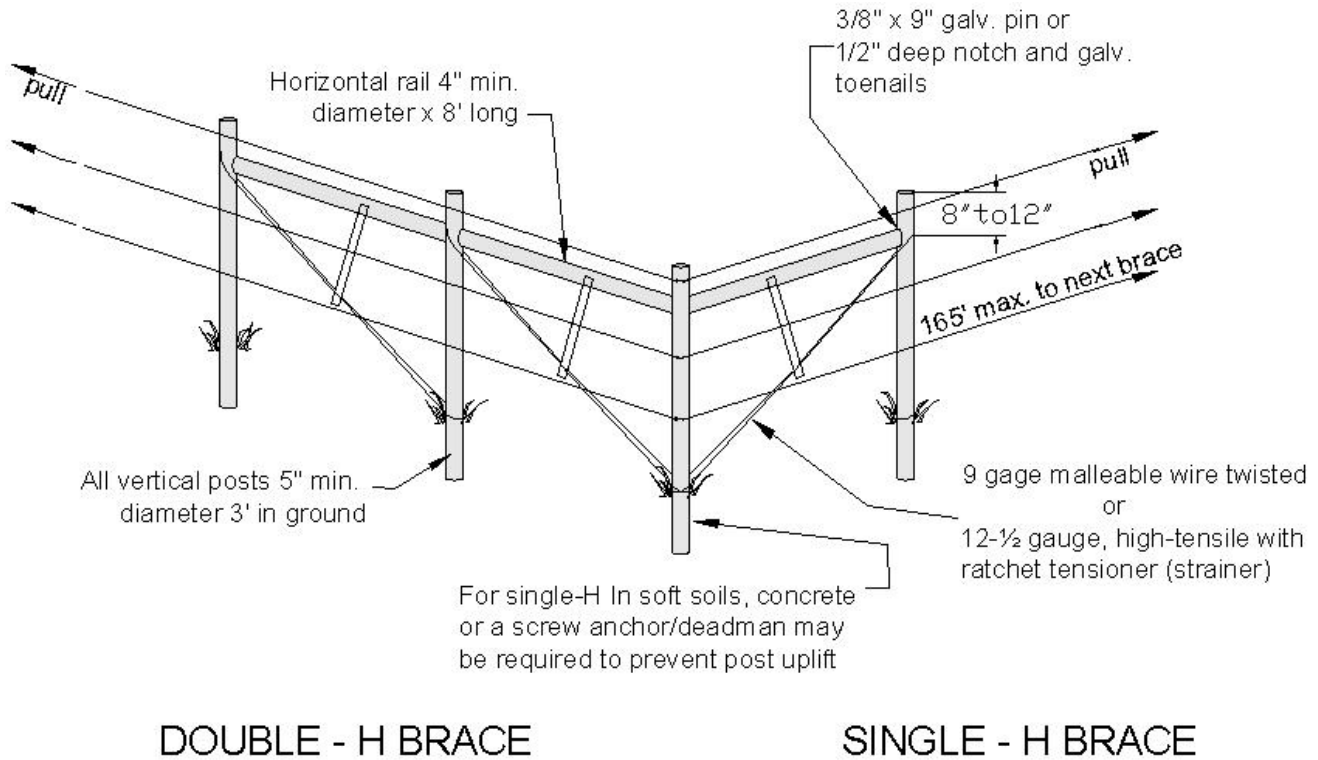


CURVED FENCES



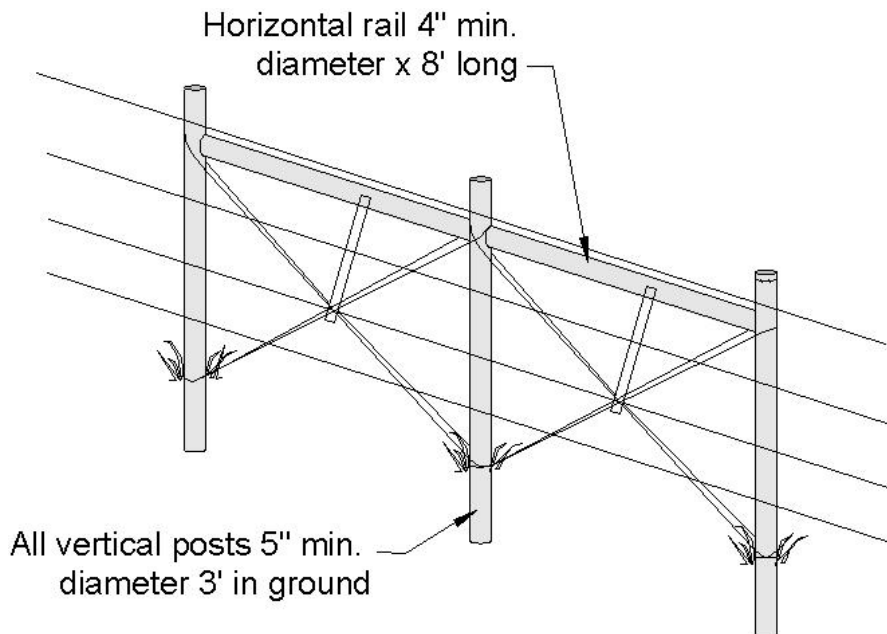
Types of anchor-and brace assemblies and where to locate them: (a) For fence lengths of 10 rods (165 feet) or less, use single-span end construction. (b) For fence lengths of 10 to 40 rods (165 to 660 feet), use double span end construction. (c) For fences more than 40 rods (660 feet) long use a braced-line-post assembly to divide the fence lengths. (d) On rolling land, fence stretching is easier if braced line-post assemblies are located at the foot and top of each hill. (e) Contour fences, more than 20 rods (330 feet) long, should have a braced-line-post assembly installed to keep the stretches to 20 rods (330 feet) or less. Install in straight section at least one post span away from a curve. Do not install on a curve.

Note: One rod equals 16 ½ feet.



Typical Combination Corner Brace Assembly

Figure 1



Double - H Brace Pull Assembly

Figure 2

SUGGESTED SPACING FOR BARBED WIRE

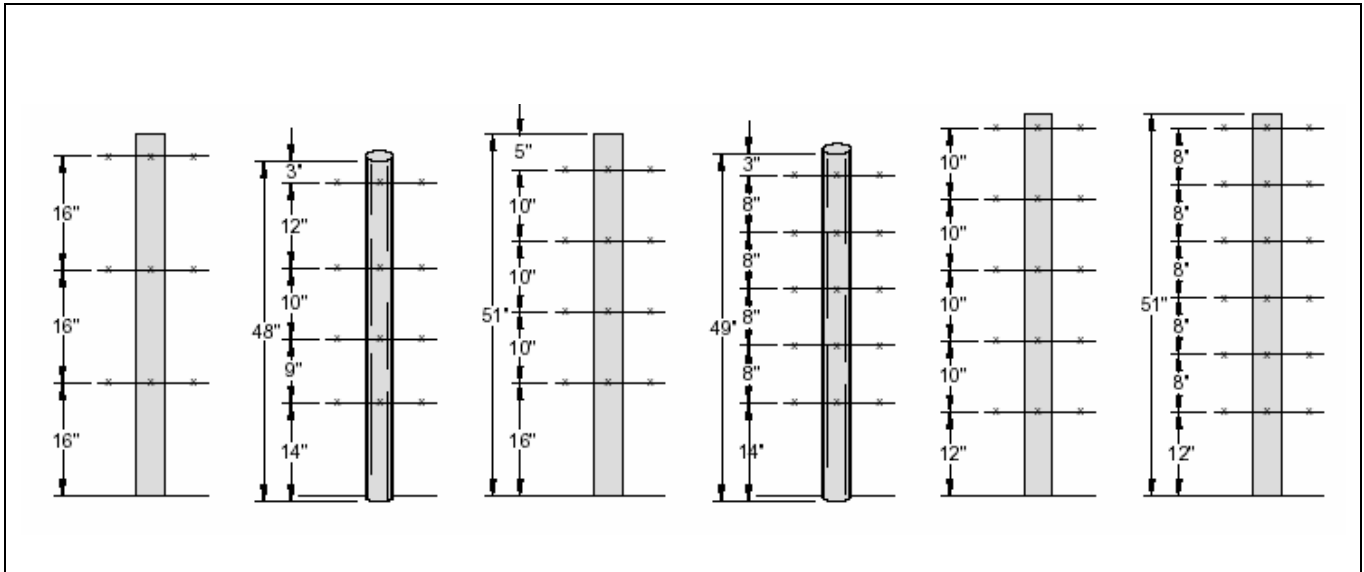
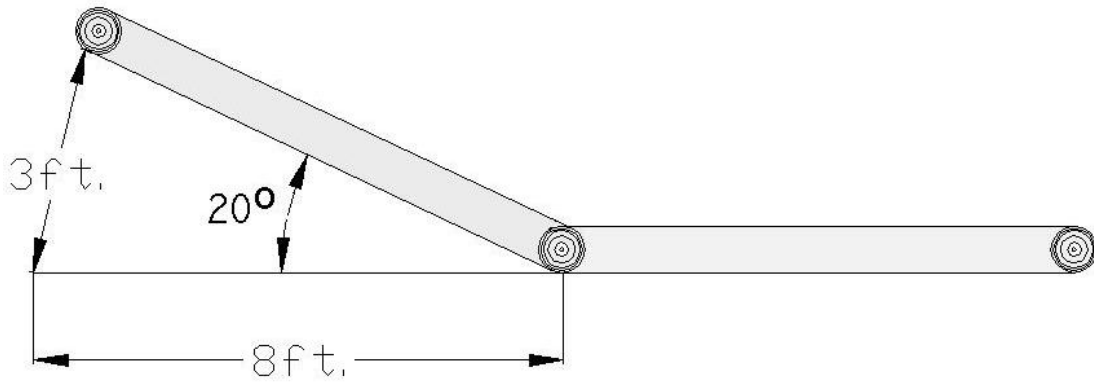


Figure 3



Top View of Fence Brace Showing Minimum Angle to be Considered a Corner

Figure 4

RI NATURAL RESOURCES CONSERVATION SERVICE CONSERVATION PRACTICE STANDARD FENCE (382)

Table 1. Fence Selection Criteria

Fence design and construction must meet the minimum requirements for controlling specific animal types.

Animal type to control	Fence type	Purpose of Fence				Spacing Inches above ground level <small>ww fences start 2-3 " above the ground</small>
		Perimeter (boundary) prohibited areas	Access lanes & stream crossings	Interior subdivision	Stream exclusion	
		Minimum Criteria				Inches
Cattle	Barbed 3-wire	NO	NO	Meets	Meets	18, 30, 42
Cattle	Barbed 4-wire	NO	Meets	Exceeds	Exceeds	16 to 48 evenly spaced
Cattle	Barbed 5-wire	Meets	Exceeds	Exceeds	Exceeds	14 to 48 evenly spaced
Cattle	Non-Electric 4-wire high tensile smooth			Exceeds	Meets	12 to 42 evenly spaced
Cattle	Non-Electric 6-wire high tensile smooth	No	Meets	Exceeds	Exceeds	12 to 44 evenly spaced
Cattle	Non-Electric 8-wire high tensile smooth	Meets	Exceeds	Exceeds	Exceeds	12 to 44 evenly spaced
Cattle	Electric 1-wire high tensile smooth	NO	NO	Meets	NO	32
Cattle	Electric 2-wire high tensile smooth	NO	Meets	Exceeds	Meets	20, 32
Cattle	Electric 3-wire high tensile smooth	NO	Exceeds	Exceeds	Exceeds	18, 30, 42
Cattle	Electric 4-wire high tensile smooth	Meets	Exceeds	Exceeds	Exceeds	12 to 42 evenly spaced
Cattle	Electric 5-wire high tensile smooth	Exceeds	Exceeds	Exceeds	Exceeds	12 to 44 evenly spaced
Cattle	Electric 1-wire Polywire or Polytape (1hot wire)	NO	NO	Meets	NO	32
Cattle	Electric 2-wire Polywire or Polytape (2 hot wires)	NO	Meets	Exceeds	Meets	20, 32
Cattle	Woven wire plus one or more top wire	Exceeds	Exceeds	Exceeds	Exceeds	47 min, 6 max between top wires
Cattle	Wood or Composition boards (6" wide)	Exceeds	Exceeds	Exceeds	Exceeds	6, 6, 8, 10 between boards
Cattle	HT Woven wire plus one or more top wires	Exceeds	Exceeds	Exceeds	Exceeds	47 min, 6 max between top wires
Goats & sheep	Barbed 5-wire	NO	NO	Meets	Meets	6 to 32 evenly spaced
Goats & sheep	Barbed 6-wire	NO	Meets	Exceeds	Exceeds	6 to 36 evenly spaced
Goats & sheep	Barbed 8-wire	Meets	Exceeds	Exceeds	Exceeds	6 to 48 evenly spaced
Goats & sheep	Non-Electric 5-wire high tensile smooth	NO	NO	Meets	Meets	6 to 32 evenly spaced
Goats & sheep	Non-Electric 6-wire high tensile smooth	NO	Meets	Exceeds	Exceeds	6 to 36 evenly spaced
Goats & sheep	Non-Electric 7-wire high tensile smooth	Meets	Exceeds	Exceeds	Exceeds	6 to 42 evenly spaced
Goats & sheep	Electric 3-wire high tensile smooth	NO	NO	Meets	Meets	8, 18, 30
Goats & sheep	Electric 4-wire high tensile smooth	NO	Meets	Exceeds	Exceeds	6 to 36 evenly spaced
Goats & sheep	Electric 5-wire high tensile smooth	Meets	Exceeds	Exceeds	Exceeds	6 to 38 evenly spaced
Goats & sheep	Woven wire plus one or more top wire	Exceeds	Exceeds	Exceeds	Exceeds	32 min, 6" max between top wires
Goats & sheep	Wood or Composition boards (6" wide)	Exceeds	Exceeds	Exceeds	Exceeds	6, 6, 8, 10 between boards
Goats & sheep	HT Woven wire plus one or more top wires	Exceeds	Exceeds	Exceeds	Exceeds	35 min, 6" max between top wires

Animal type to control	Fence type	Purpose of Fence				Spacing Inches above ground level ww fences start 2-3 " above the ground
		Perimeter (boundary prohibited areas)	Access lanes & stream crossings	Interior subdivision	Stream exclusion	
		Minimum Criteria				Inches
Horses	Electric 2-wire high tensile smooth	NO	Meets	Meets	Meets	28, 38
Horses	Electric 3-wire high tensile smooth	NO	Exceeds	Exceeds	Exceeds	28, 38, 48
Horses	Electric 4-wire high tensile smooth	Meets	Exceeds	Exceeds	Exceeds	18 to 54 evenly spaced
Horses	Electric 5-wire high tensile smooth	Exceeds	Exceeds	Exceeds	Exceeds	18 to 54 evenly spaced
Horses	Electric 1-wire Polywire or Polytape	NO	NO	Meets	NO	34
Horses	Electric 2-wire Polywire or Polytape	NO	Meets	Meets	Meets	28, 48
Horses	Woven wire w/1 wire HT on top	Exceeds	Exceeds	Exceeds	Exceeds	48 + HT at 54
Horses	Mesh "No climb" 2"x4" spacing	Exceeds	Exceeds	Exceeds	Exceeds	48 + HT at 54"
Horses	Wood or Composition boards (6" wide)	Exceeds	Exceeds	Exceeds	Exceeds	18 min. 12 max. between boards
Hogs	Electric 2-wire high tensile smooth	NO	NO	Meets	Meets	8, 16
Hogs	Electric 3-wire high tensile smooth	NO	Meets	Exceeds	Exceeds	8, 16, 24
Hogs	Woven wire 32" w/ 1 wire barb or HT	Exceeds	Exceeds	Exceeds	Exceeds	32 + barb or HT at 38
Hogs	Woven wire 32" w/ 1 Ht electric inside	Meets	Meets	Meets	Meets	32 + 1 electric wire 8 off ground, 8 inside of fence.
Deer	Woven wire 96" tall w/2 strands of smooth wire	Meets	Meets	Meets	Meets	96" w/smooth wire at 9' and 10'
Buffalo	Electric 4-wire high tensile smooth	NO	NO	Meets	Meets	16 to 42 evenly spaced
Buffalo	Electric 5-wire high tensile smooth	NO	Meets	Exceeds	Exceeds	16 to 48 evenly spaced
Buffalo	Electric 6-wire high tensile smooth	Meets	Exceeds	Exceeds	Exceeds	12 to 52 evenly spaced
Chickens/turkey	Woven wire 2"x4" 1 wire HT or barb above	Exceeds	Exceeds	Exceeds	Exceeds	72
Emu and ostrich	Woven wire 6"x6" 1 wire HT or barb above	Exceeds	Exceeds	Exceeds	Exceeds	72
Chickens/turkey	HT Woven wire 2"x4" 1 wire HT or barb above	Exceeds	Exceeds	Exceeds	Exceeds	72
Emu and ostrich	HT Woven wire 6"x6" 1 wire HT or barb above	Exceeds	Exceeds	Exceeds	Exceeds	72
People	Chain link	Meets	Preferred option			60 with 1 barb above
People	Electric 5-wire	Meets				12 to 60 evenly spaced
People	Woven wire 47 inch plus 1 or 2 barbed wires or HT elec	Meets				47 min. HT or barb at 6 spacing to 48. HT may be electrified

Alternative fencing and bracing systems may be approved by the Resource Conservationist, i.e. *common sense fence, horseguard or equivalent.*

**RFB 24BCP05B - Land Clearing, Tree Removal, Stump Grinding and Fence Construction
BID SHEET**

SCOPE OF WORK:	BID AMOUNT:
<p><u>Land Clearing and Burning:</u> Clearing of land to remove all vegetation and debris to allow for right-of-way expansion. This hourly rate allows for the Contractor burning all cleared debris onsite.</p> <p><u>This hourly rate is an all-inclusive cost for all necessary equipment, manpower, fuel, insurance and bonds.</u></p>	<p align="center">**Cost Per Hour**</p> <p>\$ _____</p>
<p><u>Debris Hauling:</u> Vegetation and debris from land clearing that cannot be burned onsite, shall be hauled off in accordance with the State of Texas regulations for disposal of debris and refuse. This rate is a per cubic yard unit price for debris to be hauled off by the Contractor.</p> <p><u>This hourly rate is an all-inclusive cost for all necessary equipment, manpower, fuel, insurance and bonds.</u></p>	<p align="center">**Cost Per Cubic Yard**</p> <p>\$ _____</p>
<p><u>Fence Construction:</u> To include all material and labor cost. (Fence Construction and Materials Shall Follow the NRCS Barbed Wire – Conservation Practice Job Sheet – RI-382(a))</p>	<p align="center">**Cost Per Linear Foot**</p> <p>\$ _____</p>

<p><u>Tree Removal:</u> Contractor shall cut selected tree(s) to within three (3) inches of the ground. The cut tree(s) shall be disposed of, and all debris removed from the project site.</p> <p><u>This Per Tree rate is an all-inclusive cost for the equipment and manpower to cut, fell and dispose of the selected trees.</u></p>	<p>**Cost Per Tree – 1” to 12” Diameter**</p> <p>\$ _____</p> <p>**Cost Per Tree – Greater than 12” to 24” Diameter**</p> <p>\$ _____</p> <p>**Cost Per Tree – Greater than 24” to 36” Diameter**</p> <p>\$ _____</p> <p>**Cost Per Tree – Greater than 36” to 48” Diameter**</p> <p>\$ _____</p>
<p><u>Stump Grinding:</u> Contractor shall grind stumps 4 to 6 inches below grade.</p> <p><u>This Per Tree Stump rate is an all-inclusive cost for the equipment and manpower to grind each stump 4 to 6 inches below grade.</u></p>	<p>**Cost Per Tree Stump Diameter Inch**</p> <p>\$ _____</p> <p>** Minimum Fee for Stump Grinding (Lowest Price Bastrop County can expect to pay for any requested small jobs) **</p> <p>\$ _____</p>

Authorized Signature of Bidder: _____

Date: _____

Appendix B – Bid Verification

Submittal Checklist: (To determine validity of Bid - all bids received without the following items will be considered non-responsive and will be rejected. Forms from previous solicitations for goods or services will not be used in place of the required forms for this RFB)

- _____ Appendix A (Pages 9 through 21) must be completed, signed and included in the Bid submittal.
- _____ Appendix B (Pages 22 through 29) must be completed, signed and included in the Bid submittal.
- _____ Appendix C – Conflict of Interest Form (CIQ Form) (Page 30) must be completed, signed and included in the Bid submittal.
- _____ Appendix E – HB 89 Verification Form (Page 35) must be completed, signed and included in the Bid submittal.
- _____ Appendix G - Anti-Lobbying Certification (Page 40) must be completed, signed and included in the Bid submittal.
- _____ Appendix H – Contractor’s Certification of Recovered Material (Page 42).
- _____ Certificate of Insurance showing Proof of Contractor’s Ability to Meet the Insurance Requirements (Page 27).
- _____ Signed Addendum(s) (If any are issued by Owner).

All Bids submitted to Bastrop County shall include this page with the submitted Bid.			
RFB Number:	RFB 24BCP05B		
Project Title:	Land Clearing, Tree Removal, Stump Grinding and Fence Construction		
Submittal Deadline:	2:00 P.M. (CST), May 21, 2024		
Submit hard-copies to:	MAIL: Bastrop County Purchasing Department: Attn: Leon Scaife 1501 Business Park Drive Bastrop Texas, 78602	HAND DELIVER: Bastrop County Purchasing Department: Attn: Leon Scaife 1501 Business Park Drive Bastrop Texas, 78602	
	Bidder Information:		
Bidder’s Legal Name (DBA):			
Address:			
City, State & Zip			
Federal Employers Identification Number #			
Bidder’s Point of Contact:			
Phone Number:		Fax Number:	
E-Mail Address:			
Bidder Authorization			
<p>I, the undersigned, have the authority to execute this Bid in its entirety as submitted and enter into a contract on behalf of the Bidder.</p> <p>Printed Name and Position of Authorized Representative: _____</p> <p>Signature of Authorized Representative: _____</p> <p>Signed this _____ (day) of _____ (month), _____ (year)</p>			

Appendix B – Bid (continued)

I. CONTRACT AWARD INFORMATION:

A. Term of Contract

Any contract resulting from this RFB shall be effective from the date that the Notice to Proceed is received by the contractor and shall remain in effect for one (1) Calendar year from the date listed on the Notice to Proceed Letter. At Bastrop County’s option and approval by the vendor, the contract may be renewed for Four (4) additional one (1) calendar year periods.

B. Federal, State and/or Local Identification Information

1)Centralized Master Bidders List registration number:_____

2)Prime contractor HUB / MWBE registration number:_____

3)Employer Identification Number (EIN)/Federal Tax Identification Number: _____

4)An individual Bidder acting as a sole proprietor must also enter the Bidder’s Social Security Number:

_____ - _____ - _____.

II. CONTRACT TERMS AND CONDITIONS. EXCEPT WHERE BIDDER MAKES SPECIFIC EXCEPTION IN THE SUBMITTED BID, ANY CONTRACT RESULTING FROM THIS RFB WILL CONTAIN THE FOLLOWING TERMS AND CONDITIONS, WHICH BIDDER HEREBY ACKNOWLEDGES, AND TO WHICH BIDDER AGREES BY SUBMITTING A BID:

1. Standard Terms and Conditions

- A. Taxpayer Identification: Bidders must provide the County with a current W-9 before any goods or services can be procured from the Bidder.
- B. Governing Law and Venue: All Bids submitted in response to this solicitation and any resulting contract shall be governed by and construed in accordance with the laws and court decisions of the State of Texas. Any legal or equitable actions arising from this request for bids, or any resulting contract shall be brought before an appropriate court located in Bastrop County.
- C. Resolution of Program Non-compliance and Disallowed Costs: In the event of any dispute, claim, question, or disagreement arising from or relating to this agreement, or the breach thereof, including determination of responsibility for any costs disallowed as a result of non-compliance with federal, state or local requirements, the parties hereto shall use their best efforts to settle the dispute, claim, question or disagreement. To this effect, the parties shall consult and negotiate with each other in good faith within 30 days of receipt of a written notice of the dispute or invitation to negotiate and attempt to reach a just and equitable solution satisfactory to both parties. If the matter is not resolved by negotiation within 30 days of receipt of written notice or invitation to negotiate, the parties agree first to try in good faith to settle the matter by mediation administered by the American Arbitration Association under its Commercial Mediation Procedures before resorting to arbitration, litigation, or some other dispute resolution procedure. The parties may enter into a written amendment to this Agreement and choose a mediator that is not affiliated with the American Arbitration Association. The parties shall bear the costs of such mediation equally. [This section may also provide for the qualifications of the mediator(s), the locale of meetings, time limits or any other item of concern to the parties. If the matter is not resolved through such mediation within 60 days of the initiation of that procedure, either party may proceed to file a suit.

- D. Termination for Cause: The occurrence of any one or more of the following events will justify termination of the contract by the County for cause:
- i. The successful Bidder fails to perform in accordance with the provisions of these specifications; or
 - ii. The successful Bidder violates any of the provisions of these specifications; or
 - iii. The successful Bidder disregards laws or regulations of any public body having jurisdiction; or
 - iv. The successful Bidder transfers, assigns, or conveys any or all of its obligations or duties under the contract to another without written consent of the County.
 - v. If one or more of the events identified in Subparagraphs I (i) through (iv) occurs, the County may terminate the contract by giving the successful Bidder seven (7) Calendar days written notice. In such a case, the successful Bidder shall only be entitled to receive payment for goods and services provided before the effective date of termination. The successful Bidder shall not receive any payment on account of loss of anticipated profits or revenue or other economic loss resulting from such termination.
 - vi. When the contract has been terminated by the County, such termination shall not affect any rights or remedies of the County then existing or which may thereafter accrue.

A "Termination for Cause" clause will be added to selected Bidder's contract with Bastrop County.

- E. Termination for Convenience: This contract may be cancelled or terminated at any time by giving vendor thirty (30) days written notice. Vendor may be entitled to payment for services actually performed; to the extent said services are satisfactory.

A "Termination for Convenience" clause will be added to selected Bidder's contract with Bastrop County.

- F. Force Majeure: To the extent that either party to this Contract shall be wholly or partially prevented from the performance within the term specified of any obligation or duty placed on such party by reason of or through strikes, stoppage of labor, riot, fire, flood, acts of war, insurrection, accident, order of any court, act of God, or specific cause reasonably beyond the party's control and not attributable to its neglect or nonfeasance, in such event, the time for the performance of such obligation or duty shall be suspended until such disability to perform is removed. Determination of force majeure shall rest solely with Bastrop County.

- G. Compliance with the Byrd Anti-Lobbying Amendment (31 U.S.C. 1352): Contractors that apply or bid for an award of \$100,000 or more must file the required certification. Each tier certifies to the tier above that it will not and has not used Federal appropriated funds to pay any person or organization for influencing or attempting to influence an officer or employee of any agency, a member of Congress, officer or employee of Congress, or an employee of a member of Congress in connection with obtaining any Federal contract, grant or any other award covered by 31 U.S.C. 1352. Each tier must also disclose any lobbying with non-Federal funds that takes place in connection with obtaining any Federal award. Such disclosures are forwarded from tier to tier up to the non-Federal award.

- H. Contract Work Hours and Safety Standards Act (40 U.S.C. 3701-3708): Where applicable, all contracts awarded by the non-Federal entity in excess of \$100,000 that involve the employment of mechanics or laborers must include a provision for compliance with 40 U.S.C. 3702 and 3704, as supplemented by Department of Labor regulations (29 CFR Part 5) . Under 40 U.S.C. 3702 of the Act, each contractor must be required to compute the wages of every mechanic and laborer on the basis of a standard work week of 40 hours. Work in excess of the standard work week is permissible provided that the worker is compensated at a rate of not less than one and a half times the basic rate of pay for all hours worked in excess of 40 hours in the work week. The requirements of 40 U.S.C. 3704 are applicable to construction work and provide that no laborer or mechanic must be required to work in surroundings or under working conditions which are unsanitary, hazardous or dangerous. These requirements do not apply to the purchases of supplies or materials or articles ordinarily available on the open market, or contracts for transportation or transmission of intelligence.

- I. Clean Air Act (42 U.S.C. 7401-7671q.) and the Federal Water Pollution Control Act (33 U.S.C. 1251-1387): Contracts and subgrants of amounts in excess of \$150,000 must contain a provision that requires the non-Federal award to agree to comply with all applicable standards, orders or regulations issued pursuant to the Clean Air Act (42 U.S.C. 7401-7671q) and the Federal Water Pollution Control Act as amended (33 U.S.C 1251-1387). Violations must be reported to the Federal awarding agency and the Regional Office of the Environmental Protection Agency (EPA).
- J. Affirmative Action/EOE: Bastrop County is an Affirmative Action/Equal Opportunity Employer and strives to attain goals for of the Housing and Urban Development Act of 1968 (12U.S.C. 1701u) as amended. See Appendix F - Bastrop County Section 3 Resolution. During the performance of an awarded contract, the contractor agrees as follows:
1. The contractor will not discriminate against any employee or applicant for employment because of race, color, religion, sex, sexual orientation, gender identity, or national origin. The contractor will take affirmative action to ensure that applicants are employed, and that employees are treated during employment without regard to their race, color, religion, sex, sexual orientation, gender identity, or national origin. Such action shall include, but not be limited to the following: Employment, upgrading, demotion, or transfer; recruitment or recruitment advertising; layoff or termination; rates of pay or other forms of compensation; and selection for training, including apprenticeship. The contractor agrees to post in conspicuous places. Available to employees and applicants for employment, notices to be provided setting forth the provisions of this nondiscrimination clause.
 2. The contractor will, in all solicitations or advertisements for employees placed by or on behalf of the contractor, state that all qualified applicants will receive considerations for employment without regard to race, color, religion, sex, sexual orientation, gender identity, or national origin.
 3. The Contractor will not discourage or in any other manner discriminate against any employee or applicant for employment because such employee or applicant has inquired about, discussed, or disclosed the compensation of the employee or applicant or another employee or applicant. This Provision shall not apply to instances in which an employee who has access to the compensation information of other employees or applicants as a part of such employee's essential job functions discloses the compensation of such other employees or applicants to individuals who do not otherwise have access to such information, unless such disclosure is in response to a formal complaint or charge, in furtherance of an investigation, proceeding, hearing, or action, including an investigation conducted by the employer, or is consistent with the contractor's legal duty to furnish information.
 4. The contractor will send to each labor union or representative of workers with which he has a collective bargaining agreement or other contract or understanding, a notice to be provided advising the said labor union or workers' representatives of the contractor's commitments under this section and shall post copies of the notice in conspicuous places available to employees and applicants for employment.
 5. The contractor will comply with all provisions of Executive Order 11246 of September 24, 1965, and of the rules, regulations, and relevant orders of the Secretary of Labor.
 6. The contractor will furnish all information and reports required by Executive Order 11246 of September 24, 1965, and by rules, regulations, and orders of the Secretary of Labor, or pursuant thereto, and will permit access to his books, records, and accounts by the administering agency and the Secretary of Labor for purposes of investigation to ascertain compliance with such rules, regulations and orders.
 7. In the event of the contractor's noncompliance with the nondiscrimination clauses of this contract or with any of the said rules, regulations, or orders, this contract may be canceled, terminated, or suspended in whole or in part and the contractor may be declared ineligible for further Government contracts or

federally assisted construction contracts in accordance with procedures authorized in Executive Order 11246 of September 24, 1965, and such other sanctions may be imposed and remedies invoked as provided in Executive Order 11246 of September 24, 1965, or by rule, regulation, or order of the Secretary of Labor, or as otherwise provided by law.

8. The contractor will include the portion of the sentence immediately preceding paragraph (1) and the provisions of paragraphs (1) through (7) in every subcontract or purchase order unless exempted by rules, regulations, or orders of the Secretary of Labor issued pursuant to section 204 of Executive Order 11246 of September 24, 1965, so that such provisions will be binding upon each subcontractor or vendor. The contractor will take such action with respect to any subcontract or purchase order as the administering agency may direct as a means of enforcing such provisions, including sanctions for noncompliance: Provided, however, that in the event a contractor becomes involved in, or is threatened with litigation with a subcontractor or vendor as a result of such direction by the administering agency the contractor may request the United States to enter into such litigation to protect the interests of the United States.
 9. The applicant further agrees that it will be bound by the above equal opportunity clause with respect to its own employment practices when it participates in federally assisted construction work: Provided, That if the applicant so participating is a State or local government, the above equal opportunity clause is not applicable to any agency, instrumentality or subdivision of such government which does not participate in work on or under the contract.
 10. The applicant agrees that it will assist and cooperate actively with the administering agency and the Secretary of Labor in obtaining the compliance of contractors and subcontractors with the equal opportunity clause and the rules, regulations, and relevant orders of the Secretary of Labor, that it will furnish the administering agency and the Secretary of Labor such information as they may require for the supervision of such compliance, and that it will otherwise assist the administering agency in the discharge of the agency's primary responsibility for securing compliance.
 11. The applicant further agrees that it will refrain from entering into any contract or contract modification subject to Executive Order 11246 of September 24, 1965, with a contractor debarred from, or who has not demonstrated eligibility for, Government contracts and federally assisted construction contracts pursuant to the Executive order and will carry out such sanctions and penalties for violation of the equal opportunity clause as may be imposed upon contractors and subcontractors by the administering agency or the Secretary of Labor pursuant to Part II, Subpart D of the Executive order. In addition, the applicant agrees that if it fails or refuses to comply with these undertakings, the administering agency may take any or all of the following actions: Cancel, terminate, or suspend in whole or in part this grant (contract, loan, insurance, guarantee); refrain from extending any further assistance to the applicant under the program with respect to which the failure or refund occurred until satisfactory assurance of future compliance has been received from such applicant; and refer the case to the Department of Justice for appropriate legal proceedings.
 12. Subcontracts. Each nonexempt prime contractor or subcontractor shall include the equal opportunity clause in each of its nonexempt subcontracts.
- K. Payment Terms: Unless otherwise specified in the Scope of Services or otherwise agreed to in writing by Bastrop County, payment terms for the County are Net 30 days upon receipt of invoice after receipt of goods or services. A 5% retainage will be held from each invoice until the completion of the project. Pay applications must be submitted to the requesting Bastrop County Precinct Commissioner for approval and processing for payment. Bastrop County will pay based on percentage of completion at the time of pay application submission, pending verification from the Bastrop County Precinct Commissioner. Final approval will be based on an inspection of the project for verification of compliance with all aspects of the scope of work listed within Appendix A of this RFB. The work performed in accordance with this contract shall be paid for using unit pricing submitted in

response to this request for bids. This price is full compensation for all tasks listed in the bid submitted by the vendor and must include all necessary fees, charges and bonds needed to complete this work. Bastrop County will NOT pay any fees to the vendor other than the agreed upon unit prices.

- L. Liquidated Damages: Should the **CONTRACTOR** fail to complete the requirements set forth in the scope of work, Bastrop County will suffer damage. The amount of damage suffered by Bastrop County is difficult, if not impossible, to determine at this time. Therefore, the **CONTRACTOR** shall pay Bastrop County, as liquidated damages, the following:
- The **CONTRACTOR** shall pay Bastrop County, liquidated damages, \$1500 per incident where the **CONTRACTOR** fails to repair damages to private or public property that are caused by the **CONTRACTOR** and/or sub-contractor(s). Application of liquidated damages does not release the **CONTRACTOR** from the responsibility of resolving or repairing the damages.
 - The amount specified above is mutually agreed upon as reasonable and the proper amount of liquidated damages Bastrop County would suffer in the aforementioned examples.
- M. Warranty of Products and Services: All products/services furnished under this contract shall be warranted to be merchantable and good quality and fit for the purposes intended as described in this bid, to the satisfaction of County and in accordance with the specifications, terms, and conditions of the scope of work (Appendix A), and all services performed shall be warranted to be of a good and workmanlike quality, in addition to, and not in lieu of, any other express written warranties provided.
- N. Payment and Performance Bonds: Payment and Performance bonds shall be required and issued for this contract should the total estimated price, for each requested service, reach the State of Texas threshold for public works projects. The contractor agrees that before any work begins, a Payment Bond will be executed and delivered to Bastrop County in the amount of one hundred percent (100%) of the estimated project total, should the contract total meet and/or exceed twenty-five thousand dollars (\$25,000). A Performance bond in the amount of one hundred percent (100%) of the estimated project total should also be executed and delivered to Bastrop County, before any work shall begin, should the estimated project total meet and/or exceed one hundred thousand dollars (\$100,000). The Performance and Payment Bond must be maintained throughout the project execution period. At the completion of all work, the Payment and Performance Bond shall be released. The cost of all bonds must be included in the bid price. Payment for services will not be made until receipt of all required bonds has been made to Bastrop County.
- O. Funding: State of Texas statutes prohibit the obligation and expenditure of public funds beyond the fiscal year for which a budget has been approved. Orders or other obligations that may arise beyond the end of the current fiscal year shall be subject to approval of budget funds.
- P. Taxes: The County is exempt from all federal excise taxes and all state and local sales and use taxes. If such taxes are listed on a Bidder's invoice, they will not be paid.
- Q. Insurance: The Bidder, consistent with its status as an independent contractor, shall carry, and shall require any of its subcontractors to carry, at least the following insurance in such form, with such companies, and in such amounts (unless otherwise specified) as County may require:
1. Worker's Compensation and Employer's Liability insurance, including All States Endorsement, to the extent required by federal law and complying with the laws of the State of Texas.
 2. Commercial General Liability insurance, including Blanket Contractual Liability, Broad Form Property Damage, Personal Injury, Completed Operations/Products Liability, Premises Liability, Medical Payments, Interest of Employees as additional insureds, and Broad Form General Liability Endorsements, for at least One Million Dollars (\$1,000,000) Combined Single Limit Bodily Injury and Property Damage on

an occurrence basis.

3. Comprehensive Automobile Liability insurance covering all owned, non-owned or hired automobiles to be used by the Contractor, with coverage for at least One Million Dollars (\$1,000,000) Combined Single Limit Bodily Injury and Property Damage.

Contractor shall submit proof to Bastrop County that said contractor has the ability to meet all insurance requirements listed above.

- S. Indemnification: Bidder agrees to defend, indemnify and hold harmless the County of Bastrop, all of its officers, agents, employees, appointees and volunteers from and against all claims, actions, suits, demands, proceedings, costs, damages and liabilities, including reasonable attorneys' fees, court costs, related expenses for personal injury (including death), property damage or other harm for which recovery of damages is sought, suffered by any person or persons, that may arise out of or be occasioned by Bidder's breach of any of the terms or provisions of any contract awarded as a result of this solicitation, or by any negligent or strictly liable act or omission of the Bidder, its officers, agents, employees, or subcontractors, in the performance of an awarded contract; except that the indemnity provided for in this paragraph shall not apply to any liability resulting from the sole negligence or fault of the County, its officers, agents or employees, and in the event of joint and concurrent negligence or fault of the Bidder and County, responsibility and indemnity, if any, shall be apportioned comparatively in accordance with the laws of the State of Texas, without waiving any governmental immunity available to the County under Texas law and without waiving any defenses of the parties under Texas law. The provisions of this paragraph are solely for the benefit of the parties hereto and are not intended to create or grant any rights, contractual or otherwise, to any other person or entity.

****THE REMAINDER OF THIS PAGE LEFT BLANK INTENTIONALLY****

IN SUBMITTING A RESPONSE TO THIS RFB, THE RESPONDENT AGREES THAT IT WAIVES ANY CLAIMS IT HAS OR MAY HAVE AGAINST THE COUNTY, THE COUNTY'S EMPLOYEES, OFFICERS, AGENTS, REPRESENTATIVES, AND THE MEMBERS OF THE COUNTY'S GOVERNING BODY IN CONNECTION WITH OR ARISING OUT OF THIS RFB, INCLUDING, THE ADMINISTRATION OF THE RFB, THE BASIS FOR SELECTION, THE EVALUATIONS OF THE RESPONSES, THE METHOD USED FOR SELECTION, AND ANY DISCLOSURE OF INFORMATION REGARDING THE RESPONSES OR EVALUATIONS. THE SUBMISSION OF A BID CONSTITUTES THE ACCEPTANCE BY THE RESPONDENT OF THE EVALUATION TECHNIQUE DESCRIBED IN THIS RFB. THE PERSON SIGNING ON BEHALF OF BIDDER CERTIFIES THAT THE SIGNER HAS AUTHORITY TO SUBMIT THE BID ON BEHALF OF THE BIDDER AND TO BIND THE BIDDER TO ANY RESULTING CONTRACT

I ACKNOWLEDGE THAT I HAVE READ AND UNDERSTAND ALL REQUIREMENTS SETFORTH IN THIS REQUEST FOR BIDS:

Authorized Signatory for Contractor:

Name of Company:

Date:

CONFLICT OF INTEREST QUESTIONNAIRE
For vendor doing business with local governmental entity

FORM CIQ

This questionnaire reflects changes made to the law by H.B. 23, 84th Leg., Regular Session.
 This questionnaire is being filed in accordance with Chapter 176, Local Government Code, by a vendor who has a business relationship as defined by Section 176.001(1-a) with a local governmental entity and the vendor meets requirements under Section 176.006(a).
 By law this questionnaire must be filed with the records administrator of the local governmental entity not later than the 7th business day after the date the vendor becomes aware of facts that require the statement to be filed. See Section 176.006(a-1), Local Government Code.
 A vendor commits an offense if the vendor knowingly violates Section 176.006, Local Government Code. An offense under this section is a misdemeanor.

OFFICE USE ONLY	
Date Received	

1 Name of vendor who has a business relationship with local governmental entity.

2 **Check this box if you are filing an update to a previously filed questionnaire.** (The law requires that you file an updated completed questionnaire with the appropriate filing authority not later than the 7th business day after the date on which you became aware that the originally filed questionnaire was incomplete or inaccurate.)

3 Name of local government officer about whom the information is being disclosed.

Name of Officer

4 Describe each employment or other business relationship with the local government officer, or a family member of the officer, as described by Section 176.003(a)(2)(A). Also describe any family relationship with the local government officer. Complete subparts A and B for each employment or business relationship described. Attach additional pages to this Form CIQ as necessary.

A. Is the local government officer or a family member of the officer receiving or likely to receive taxable income, other than investment income, from the vendor?

Yes No

B. Is the vendor receiving or likely to receive taxable income, other than investment income, from or at the direction of the local government officer or a family member of the officer AND the taxable income is not received from the local governmental entity?

Yes No

5 Describe each employment or business relationship that the vendor named in Section 1 maintains with a corporation or other business entity with respect to which the local government officer serves as an officer or director, or holds an ownership interest of one percent or more.

6 Check this box if the vendor has given the local government officer or a family member of the officer one or more gifts as described in Section 176.003(a)(2)(B), excluding gifts described in Section 176.003(a-1).

7

Signature of vendor doing business with the governmental entity

Date

CONFLICT OF INTEREST QUESTIONNAIRE

For vendor doing business with local governmental entity

A complete copy of Chapter 176 of the Local Government Code may be found at <http://www.statutes.legis.state.tx.us/Docs/LG/htm/LG.176.htm>. For easy reference, below are some of the sections cited on this form.

Local Government Code § 176.001(1-a): "Business relationship" means a connection between two or more parties based on commercial activity of one of the parties. The term does not include a connection based on:

- (A) a transaction that is subject to rate or fee regulation by a federal, state, or local governmental entity or an agency of a federal, state, or local governmental entity;
- (B) a transaction conducted at a price and subject to terms available to the public; or
- (C) a purchase or lease of goods or services from a person that is chartered by a state or federal agency and that is subject to regular examination by, and reporting to, that agency.

Local Government Code § 176.003(a)(2)(A) and (B):

(a) A local government officer shall file a conflicts disclosure statement with respect to a vendor if:

(2) the vendor:

(A) has an employment or other business relationship with the local government officer or a family member of the officer that results in the officer or family member receiving taxable income, other than investment income, that exceeds \$2,500 during the 12-month period preceding the date that the officer becomes aware that

(i) a contract between the local governmental entity and vendor has been executed;

or

(ii) the local governmental entity is considering entering into a contract with the vendor;

(B) has given to the local government officer or a family member of the officer one or more gifts that have an aggregate value of more than \$100 in the 12-month period preceding the date the officer becomes aware that:

(i) a contract between the local governmental entity and vendor has been executed; or

(ii) the local governmental entity is considering entering into a contract with the vendor.

Local Government Code § 176.006(a) and (a-1)

(a) A vendor shall file a completed conflict of interest questionnaire if the vendor has a business relationship with a local governmental entity and:

(1) has an employment or other business relationship with a local government officer of that local governmental entity, or a family member of the officer, described by Section 176.003(a)(2)(A);

(2) has given a local government officer of that local governmental entity, or a family member of the officer, one or more gifts with the aggregate value specified by Section 176.003(a)(2)(B), excluding any gift described by Section 176.003(a-1); or

(3) has a family relationship with a local government officer of that local governmental entity.

(a-1) The completed conflict of interest questionnaire must be filed with the appropriate records administrator not later than the seventh business day after the later of:

(1) the date that the vendor:

(A) begins discussions or negotiations to enter into a contract with the local governmental entity; or

(B) submits to the local governmental entity an application, response to a request for proposals or bids, correspondence, or another writing related to a potential contract with the local governmental entity; or

(2) the date the vendor becomes aware:

(A) of an employment or other business relationship with a local government officer, or a family member of the officer, described by Subsection (a);

(B) that the vendor has given one or more gifts described by Subsection (a); or

(C) of a family relationship with a local government officer.

Implementation of House Bill 1295

Certificate of Interested Parties (Form 1295):

In 2015, the Texas Legislature adopted [House Bill 1295](#), which added [section 2252.908](#) of the Government Code. The law states that a governmental entity or state agency may not enter into certain contracts with a business entity unless the business entity submits a disclosure of interested parties to the governmental entity or state agency at the time the business entity submits the signed contract to the governmental entity or state agency.

The law applies (with a few exceptions) only to a contract between a business entity and a governmental entity or state agency that either (1) requires an action or vote by the governing body of the entity or agency before the contract may be signed or (2) has a value of at least \$1 million. The disclosure requirement applies to a contract entered into on or after January 1, 2016.

Changed or Amended Contracts:

Form 1295 is only required for a change made to an existing contract in certain circumstances: (1) if a Form 1295 was not filed for the existing contract, then a filing is only required if the changed contract either requires an action or vote by the governing body or the value of the changed contract is at least \$1 million; or (2) if a Form 1295 was filed for the existing contract, then another filing is only required for the changed contract if there is a change to the information disclosed in the Form 1295, the changed contract requires an action or vote by the governing body, or the value of the changed contract increases by at least \$1 million.

As required by law, the Commission adopted the Certificate of Interested Parties form (Form 1295) on October 5, 2015. The Commission also adopted rules ([Chapter 46](#)) to implement the law. The Commission does not have any additional authority to enforce or interpret [section 2252.908](#) of the Government Code.

Filing Process:

A business entity must use the [Form 1295 filing application](#) the Commission created to enter the required information on Form 1295 and print a copy of the completed form. Once entered into the filing application, the completed form will include a unique certification number, called a “certification of filing.”

An authorized agent of the business entity must sign the printed copy of the form affirming under the penalty of perjury that the completed form is true and correct.

The completed, printed, and signed Form 1295 bearing the unique certification of filing number must be filed with the governmental body or state agency with which the business entity is entering into the contract.

Acknowledgement by State Agency or Governmental Entity:

The governmental entity or state agency must acknowledge receipt of the filed Form 1295 with the certification of filing, using the Commission’s filing application, not later than the 30th day after the date the governing body or state agency receives the Form 1295. The Commission will post the completed Form 1295 to its website within seven business days after the governmental entity or state agency acknowledges receipt of the form.

Changes to Form 1295

Changes to the law requiring certain businesses to file a Form 1295 are in effect for contracts entered into or amended on or after January 1, 2018. The changes exempt businesses from filing a Form 1295 for certain types of contracts and replace the need for a completed Form 1295 to be notarized. Instead, the person filing a 1295 needs to complete an “unsworn declaration.”

What type of contracts are exempt from the Form 1295 filing requirement under the amended law?

The amended law adds to the list of types of contract exempt from the Form 1295 filing requirement. A completed Form 1295 is not required for:

- A sponsored research contract of an institution of higher education;
- An interagency contract of a state agency or an institution of higher education;

- A contract related to health and human services if: o the value of the contract cannot be determined at the time the contract is executed; and o any qualified vendor is eligible for the contract;
- A contract with a publicly traded business entity, including a wholly owned subsidiary of the business entity;*
- A contract with an electric utility, as that term is defined by Section 31.002, Utilities Code;* or
- A contract with a gas utility, as that term is defined by Section 121.001, Utilities Code.*

The newly exempt contract types are marked with an asterisk.

Why do I need to include my date of birth and address when I sign Form 1295? Was this always the case?

In 2017, the legislature amended the law to require Form 1295 to include an “unsworn declaration” which includes, among other things, the date of birth and address of the authorized representative signing the form. The change in the law applies to contracts entered into, renewed, or amended on or after January 1, 2018. The unsworn declaration, including the date of birth and address of the signatory, replaces the notary requirement that applied to contracts entered into before January 1, 2018.

Will my date of birth and address appear on the TEC’s website when I file the form?

No. The TEC filing application does not capture the date of birth or street address of the signatory and it will not appear on forms that are filed using the TEC filing application. Although the TEC does not capture the date of birth and street address of the signatory, the contracting state agency or governmental agency will have a physical copy of the form that includes the date of birth and address of the signatory. The TEC cannot answer whether the contracting state agency or governmental agency may release such information. Questions regarding the Texas Public Information Act may be directed to the Office of the Attorney General. See also *Paxton v. City of Dall.*, No. 03-13-00546-CV, 2015 Tex. App. LEXIS 5228, at *10-11 (App.—Austin May 22, 2015) (mem. op.) (pet. denied) (available here).

CERTIFICATE OF INTERESTED PARTIES

FORM 1295

OFFICE USE ONLY

Complete Nos. 1 - 4 and 6 if there are interested parties.
 Complete Nos. 1, 2, 3, 5, and 6 if there are no interested parties.

1 Name of business entity filing form, and the city, state and country of the business entity's place of business.

2 Name of governmental entity or state agency that is a party to the contract for which the form is being filed.

3 Provide the identification number used by the governmental entity or state agency to track or identify the contract, and provide a description of the services, goods, or other property to be provided under the contract.

4 Name of Interested Party	City, State, Country (place of business)	Nature of Interest (check applicable)	
		Controlling	Intermediary

5 Check only if there is NO Interested Party.

6 UNSWORN DECLARATION

My name is _____, and my date of birth is _____.

My address is _____, _____, _____, _____, _____.
(street) (city) (state) (zip code) (country)

I declare under penalty of perjury that the foregoing is true and correct.

Executed in _____ County, State of _____, on the _____ day of _____, 20____.
(month) (year)

 Signature of authorized agent of contracting business entity
 (Declarant)

ADD ADDITIONAL PAGES AS NECESSARY

House Bill 89 VERIFICATION

I, _____, the undersigned representative of
_____ (hereafter referred to as company)

being an adult over the age of eighteen (18) years of age, after being duly sworn by the undersigned notary, do hereby depose and verify under oath that the company named-above, under the provisions of Subtitle F, Title 10, Government Code Chapter 2270::

- 1. Does not boycott Israel currently; and
- 2. Will not boycott Israel during the term of the contract the above-named Company, business or individual with Bastrop County, Texas.

Pursuant to Section 2270.001, Texas Government Code:

- 1. *“Boycott Israel” means refusing to deal with, terminating business activities with, or otherwise taking any action that is intended to penalize, inflict economic harm on, or limit commercial relations specifically with Israel, or with a person or entity doing business in Israel or in an Israeli-controlled territory, but does not include an action made for ordinary business purposes; and*
- 2. *“Company” means a for-profit sole proprietorship, organization, association, corporation, partnership, joint venture, limited partnership, limited liability partnership, or any limited liability company, including a wholly owned subsidiary, majority-owned subsidiary, parent company or affiliate of those entities or business associations that exist to make a profit.*

DATE

SIGNATURE OF COMPANY REPRESENTATIVE

ON THIS THE ____ day of _____, 20____, personally appeared _____, the above-named person, who after by me being duly sworn, did swear and confirm that the above is true and correct.

NOTARY SEAL

NOTARY SIGNATURE

APPENDIX F

RESOLUTION

AN AMENDMENT TO A RESOLUTION OF THE COMMISSIONERS' COURT OF THE COUNTY OF BASTROP, TEXAS DATED APRIL 22, 2013 AUTHORIZING THE COUNTY JUDGE OR HIS DESIGNEE TO IMPLEMENT A SECTION 3 PROGRAM, WHICH TO THE GREATEST EXTENT FEASIBLE, WILL PROVIDE JOB TRAINING, EMPLOYMENT, AND CONTRACTING OPPORTUNITIES FOR SECTION 3 BUSINESSES OF THE AREA IN WHICH THE TEXAS COMMUNITY DEVELOPMENT BLOCK GRANT (TXCDBG) PROGRAM/PROJECT IS BEING CARRIED OUT.

WHEREAS; Section 3 of the Housing and Urban Development Act of 1968 (12 U.S.C. 1701u), as amended, requires that Bastrop County ensure that training, employment and other economic opportunities generated by certain HUD financial assistance for housing and Community Development Programs shall, to the greatest extent feasible, be given to low- and very low- income persons, particularly those who are recipients of governmental assistance for housing, and to businesses that provide economic opportunities for these persons, and

WHEREAS; the County of Bastrop has been grant funded for various projects under the Texas Community Development Block Grant Program (CDBG), and

WHEREAS; the County of Bastrop is required to adopt a Section 3 Program as part of the requirements of the grant(s), and

WHEREAS; a Section 3 resident is defined as a public housing resident and/or a low to very-low income person who lives in an area where a CDBG assisted project is located, and

WHEREAS; a Section 3 business is defined as a business that has a Section 3 resident own at least 51 percent or more of the business or have at least 30 percent of the permanent, full-time employees of the business identified as Section 3 residents, and

WHEREAS; the County of Bastrop will strive to attain goals for compliance with Section 3 regulations;

NOW THEREFORE BE IT RESOLVED BY THE COMMISSIONERS' COURT OF BASTROP COUNTY, TEXAS:

1. The COMMISSIONERS' COURT has reviewed and hereby agrees to Implement the following steps, which, to the greatest extent feasible, will provide job training, employment and contracting opportunities for Section 3 residents and Section 3 businesses of the area in which the CDBG program/project is being carried out.
2. The COMMISSIONERS' COURT hereby agrees to strive to attain goals for compliance with Section 3 regulations by increasing opportunities for employment and contracting with Section 3 residents and businesses where feasible.
3. The COMMISSIONERS' COURT hereby agrees to assign duties related to implementation of this plan to the designated Section 504 and Equal

Opportunity/Fair Housing Officer.

4. The COMMISSIONERS COURT hereby delegates to the County Judge the authority to implement measures that comply with the Section 3 goals and to assign duties for carrying out these measures to County personnel and/or third party consultant(s).
5. The COMMISSIONERS' COURT hereby agrees that the County will Notify Section 3 residents and business concerns of potential new employment and contracting opportunities as they are triggered by CDBG grant awards through the use of: public notices; bidding advertisements and bid documents; local advertising media including public signage; and Including Section 3 clauses In all CDBG solicitations and contracts.
6. The COMMISSIONERS' COURT hereby agrees to maintain a list of those businesses that have identified themselves as Section 3 businesses for utilization in CDBG funded procurements, notify those businesses of pending contractual opportunities, and make this list available for general Grant Recipient procurement needs.
7. The COMMISSIONERS' COURT hereby agrees to maintain a list of those persons who have identified themselves as Section 3 residents and contact those persons when hiring/training opportunities are available through either the Grant Recipient or contractors.
8. The COMMISSIONERS' COURT hereby agrees to require that all Prime contractors and subcontractors on CDBG projects commit to this plan as part of their contract work; monitor the contractors' performance with respect to meeting Section 3 requirements, and require that they submit reports as may be required to the Bastrop County.
9. The COMMISSIONERS' COURT hereby agrees to submit reports as required by the CDBG program regarding contracting with Section 3 businesses and/or employment as they occur; and submit reports within 20 days of calendar year end which identify and quantify Section 3 businesses and employees.
10. The COMMISSIONERS' COURT hereby agrees to maintain records for the CDBG program, including copies of correspondence, memoranda, etc., which document all actions taken to comply with Section 3 regulations.
11. The COMMISSIONERS COURT hereby orders that the following procedures will be implemented to assure compliance with the intent of this Resolution:
 - a. The County Judge will appoint one or more county employees to coordinate the Section 3 responsibilities for compliance and monitoring of all Section 3 activities for CDBG Disaster Recovery Program funded projects. The County may also engage the services of third party consultants to assist.
 - b. Preference shall be awarded to Section 3 Business Concerns according to the following system:

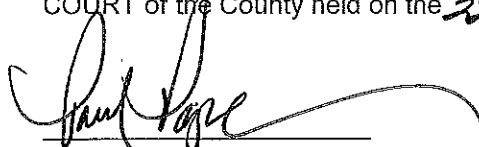
- 1) Where the Section 3 Covered Contract is to be awarded to the lowest responsible bidder, then to the extent permitted by applicable law, the contract, if awarded, shall be awarded to the qualified Section 3 Business Concern with the lowest bid, if it is reasonable and no more than 10 percent higher than the lowest bid from any qualified source. If no bid by a qualified Section 3 Business Concern is within 10 percent of the lowest bid from any qualified source, then any contract award shall be made to the source with the lowest bid.
 - 2) Where the Section 3 Covered Contract is to be awarded based on factors in addition to price, a request for proposals shall be issued by developing the particulars of the solicitation, including a rating system for the assignment of points to evaluate the merits of each response. The solicitation shall identify all factors to be considered, including price or cost. The rating system shall provide for a range of 15 to 25 percent of the total number of available rating points to be set aside for the award to respondents who have demonstrated a commitment to meet Section 3 requirements set out below in Section 11 c. If an award is made, the contract shall be awarded to the responsible firm whose proposal provides the best value to the County, considering price and all other factors specified in the rating system.
- c. In responding to a solicitation (Request for Bids, Request for Proposals, etc.) for a Section 3 covered contract, all contractors and subcontractors are required to comply with the Bastrop County Section 3 Plan. The contractor and the County will review the Section 3 Plan procedures and applicable forms that the contractor will use to report progress toward Section 3 goals. The Section 3 requirements also apply to contracts with consultants for a Section 3 covered contract.
 - d. All general contractors and/or sub-contractors shall set a goal that 30 percent of new hires will be Section 3 residents. Contractors should provide job opportunities for skilled and unskilled workers. All Contractors and Subcontractors will be required to post all new hire opportunities with the local Workforce Solutions Center, WorkinTexas.com, and Bastrop County.
 - e. Bastrop County will analyze and evaluate the contractor's compliance with requirements and obligations set forth in the contract. In the event that a review reveals a contractor has not complied with Section 3 requirements, the County will undertake efforts to help the contractor achieve compliance.
 - f. The contractor and or sub-contractor shall submit monthly

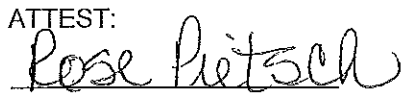
reports regarding the status of each Section 3 participant. An annual report will also be requested from each contractor and/or subcontractor in connection to the performance of each project. This Annual Report will document the efforts and success of all Section 3 participants and subcontractors working under the general contractor, in reaching the percentage goals for employment and business opportunities established in these policies.

- g. The contractor and/or subcontractor shall submit weekly-certified payroll reports to Bastrop County. This report shall be submitted weekly and clearly identify Section 3 Hires.
- h. Bastrop County or its consultant will conduct periodic site visits to the worksite. The Coordinator shall visibly notice each Section 3 hire on site. The general contractor will sign a monitoring form verifying that a Section 3 worker is present.
- i. Complaints regarding the County's Section 3 Program must be submitted in writing. All complaints must include the complainant's name, address, telephone number, and a brief narrative detailing the complaint, including but not limited to, the date of the alleged violation and the date the alleged violation was discovered. Complaints shall be filed within 30 calendar days after the complainant becomes aware of any alleged violation. Bastrop County will investigate every complaint. All parties involved will have the opportunity to submit testimony and/or evidence as may be available and relevant to the complaint, and a written determination will be issued within 30 days after the filing of the complaint. Filing a complaint does not terminate a contractor's Section 3 requirements. Contractors remain accountable for fulfilling the agreed upon Section 3 requirements.

As officers and representatives of the County of Bastrop, we the undersigned have read and fully agree and become a party to the full implementation of this program.

PASSED AND ADOPTED at a regular meeting of the COMMISSIONERS' COURT of the County held on the 22nd day of June 2015.


Paul Pape, County Judge

ATTEST:

Rose Pietsch, County Clerk

APPENDIX G

ANTI-LOBBYING CERTIFICATION

Certification and Disclosure Regarding Payments to Influence Certain Federal Transactions In accordance with the 31 U.S.C. 1352:

The undersigned certifies, to the best of his or her knowledge and belief, that:

- (a) No Federal appropriated funds have been paid or will be paid, by or on behalf of the undersigned, to any person for influencing or attempting to influence an officer or employee of an agency, a Member of Congress, an officer or employee of Congress, or an employee of a Member of Congress in connection with the awarding of any Federal contract, the making of any Federal grant, the making of any Federal loan, the entering into of any cooperative agreement, and the extension, continuation, renewal, amendment, or modification of any Federal contract, grant, loan, or cooperative agreement.
- (b) If any funds other than Federal appropriated funds have been paid or will be paid to any person for influencing or attempting to influence an officer or employee of any agency, a Member of Congress, an officer or employee of Congress, or an employee of a Member of Congress in connection with this Federal contract, grant, loan, or cooperative agreement, the undersigned shall complete and submit Standard Form-LLL, "Disclosure Form to Report Lobbying," in accordance with its instructions.
- (c) The undersigned shall require that the language of this certification be included in the award documents for all subawards at all tiers (including subcontracts, subgrants, and contracts under grants, loans, and cooperative agreements) and that all subrecipients shall certify and disclose accordingly.

(Firm Name)

(Signature)

(Print Name)

(Print Title)

(Date Certified)

NOTE: Byrd Anti-Lobbying Amendment (31 U.S.C. 1352)—Contractors that apply or bid for an award of \$100,000 or more must file the required certification. Each tier certifies to the tier above that it will not and has not used Federal appropriated funds to pay any person or organization for influencing or attempting to influence an officer or employee of any agency, a member of Congress, officer or employee of Congress, or an employee of a member of Congress in connection with obtaining any Federal contract, grant or any other award covered by 31 U.S.C. 1352. Each tier must also disclose any lobbying with non-Federal funds that takes place in connection with obtaining any Federal award. Such disclosures are forwarded from tier to tier up to the non-Federal award.

DISCLOSURE OF LOBBYING ACTIVITIES

Complete this form to disclose lobbying activities pursuant to 31 U.S.C. 1352
(See reverse for public burden disclosure.)

Approved by OMB
0348-0046

1. Type of Federal Action: <input type="checkbox"/> a. contract <input type="checkbox"/> b. grant <input type="checkbox"/> c. cooperative agreement <input type="checkbox"/> d. loan <input type="checkbox"/> e. loan guarantee <input type="checkbox"/> f. loan insurance	2. Status of Federal Action: <input type="checkbox"/> a. bid/offer/application <input type="checkbox"/> b. initial award <input type="checkbox"/> c. post-award	3. Report Type: <input type="checkbox"/> a. initial filing <input type="checkbox"/> b. material change For Material Change Only: year _____ quarter _____ date of last report _____
4. Name and Address of Reporting Entity: <input type="checkbox"/> Prime <input type="checkbox"/> Subawardee Tier _____, if known: Congressional District, if known: ^{4c} _____	5. If Reporting Entity in No. 4 is a Subawardee, Enter Name and Address of Prime: _____ _____ _____ _____ Congressional District, if known: _____	
6. Federal Department/Agency: _____	7. Federal Program Name/Description: _____ CFDA Number, if applicable: _____	
8. Federal Action Number, if known: _____	9. Award Amount, if known: \$ _____	
10. a. Name and Address of Lobbying Registrant <i>(if individual, last name, first name, MI):</i> _____ _____ _____	b. Individuals Performing Services <i>(including address if different from No. 10a)</i> <i>(last name, first name, MI):</i> _____	
11. Information requested through this form is authorized by title 31 U.S.C. section 1352. This disclosure of lobbying activities is a material representation of fact upon which reliance was placed by the tier above when this transaction was made or entered into. This disclosure is required pursuant to 31 U.S.C. 1352. This information will be available for public inspection. Any person who fails to file the required disclosure shall be subject to a civil penalty of not less than \$10,000 and not more than \$100,000 for each such failure.	Signature: _____ Print Name: _____ Title: _____ Telephone No.: _____ Date: _____	
Federal Use Only:		Authorized for Local Reproduction Standard Form LLL (Rev. 7-97)

CONTRACTOR'S CERTIFICATION
of RECOVERED MATERIAL

ACKNOWLEDGEMENT

I, _____(Principal's Name) of _____(Company Name)_____, (hereinafter called "Contractor"), acknowledge the recovered material bidding requirements found in 2 CFR 200.322 that requires the Contractor to procure those items designated in the guidelines of the Environmental Protection Agency (EPA) at 40 CFR 247 that contain the highest percentage of recovered materials practicable, consistent with maintaining a satisfactory level of competition.

I also acknowledge that this requirement shall apply to items purchased (1) where the Contractor purchases in excess of \$10,000 of the item under this contract; or (2) where during the preceding fiscal year, the value of the quantity acquired was in excess of \$10,000.

Finally, I acknowledge the attached list of recovered materials included in the bid documents.
(For up-to-date listing, please go to <http://www3.epa.gov/epawaste/conserve/tools/cpg/directory.htm>)

Printed Name and Title

Signature

Date

USE OF RECOVERED MATERIAL

Please check one:

- Recovered materials are included in this bid:
Materials included _____
- Recovered materials are not reasonably available in a reasonable period of time.
- Recovered materials fail to meet reasonable performance standards, which are determined on the basis of the guidelines of the National Institute of Standards and Technology, if applicable.
- Recovered materials are only available at an unreasonable price.

Printed Name and Title

Signature

Date

COMPREHENSIVE PROCUREMENT GUIDELINE (CPG) PROGRAM - PRODUCT SUPPLIER DIRECTORY

Product	Product Notes	Supplier	Address	State	Contact
Construction: Building Insulation	Material: Glass (30% Total Recovery) Product Notes: Product currently manufactured with 30 percent recovered cullet. Call 800-438-7465 to order product and call headquarters (Santa Clara) for any other information.	Owens Corning Fiberglass Corporation	3700 Interstate 35 East Waxahatchie, TX 75165	TX	Sales Department Tel: 972-937-1340
Construction: Building Insulation	Material: Paper (86% Post-consumer; 86% Total Recovery) Product Notes: Cellulose Insulation made from old newspapers for EPA Region 6.	Tascon Industries, Inc.	P.O. Box 41846 Houston, TX 77241	TX	Jim Adamoli Email: jadamoli@tasconindustries.com Tel: 713-397-0900 Fax: 713-937-1496
Construction: Building Insulation	Material: Paper (75-100% Post-consumer; 75-100% Total Recovery) Product Notes: Cellulose Insulation for EPA Region 6.	International Cellulose Corporation	12315 Robin Boulevard Houston, TX 77045-0006	TX	Joey Dickey Email: icc@spray-on.com Tel: 713-433-6701 Fax: 713-433-2029
Construction: Cement and Concrete	Material: Coal Fly Ash Company Notes: Electric Utility Producer	Lower Colorado River Authority	6549 Power Plant Road LaGrange, TX 78945	TX	Elaine Garcia Email: elaine.garcia@lcra.org Tel: 512-473-3200 Fax: 979-249-8724
Construction: Cement and Concrete	Material: Bottom Ash	CEMEX, INC.	2700 Research Forest Drive Suite 150 The Woodlands, TX 77381	TX	Martha Cienfuegos Email: martha.cienfuegos@cemex.com Tel: 713-722-6036 Fax: 281-362-1809
Construction: Cement and Concrete	Material: Coal Fly Ash Product Notes: Electric Utility Producer	Center Point Energy	P.O. Box 1700 Houston, TX 77251-1700	TX	Jeff Weber Tel: 281-343-2112 Fax: 713-238-5730
Construction: Cement and Concrete	Material: Coal Fly Ash Company Notes: Electric Utility Producer	Public Service Company of Oklahoma	P.O. Box 660164 Dallas, TX 75266-0164	TX	
Construction: Cement and Concrete	Material: Coal Fly Ash	NRG Texas LP	P.O. Box 4710 Houston, TX 77210	TX	Jeffrey Davis Email: jeff.davis@nrgenergy.com Tel: 713-795-6207
Construction: Cement	Material: Coal Fly Ash	Boral Resources	45 Northeast Loop 410	TX	Gary Shelton

and Concrete	Material: Silica Fume		Suite 700 San Antonio, TX 78216		Email: gary.shelton@boral.com Tel: 800 964-0951 Fax: 210-349-2986
Construction: Cement and Concrete	Material: Bottom Ash Material: Coal Fly Ash Product Notes: Produced at four facilities: 1. Nelson Industrial Steam Company (Louisiana) 2. Roy S. Nelson Power Station (Louisiana) 3. White Bluff Plant (Arkansas) 4. Independence Plant (Arkansas)	Entergy Services, Inc.	10055 Grogans Mill Road The Woodlands, TX 77380	TX	Stuart Bier Email: sbier@entergy.com Tel: 281-297-3308 Fax: 281-297-3251
Construction: Railroad Grade Crossing Surfaces	Material: Coal Fly Ash (15-20% Total Recovery) Product Notes: Manufactures standard full-depth, precast concrete railroad grade crossings.	Union Pacific Railroad Company	24125 Aldine-Westfield Road Spring, TX 77373	TX	
Construction: Roofing Materials	Material: Plastic Composite (100% Post-consumer; 100% Total Recovery)	U.S. Intec (Now GAF Commercial Roofing Systems)	P.14911 Quorum Dr., Suite 600, Dallas, TX 75254	TX	1 972 851 0500
Construction: Structural Fiberboard	Material: Wood (0% Post-consumer; 81% Total Recovery)	Temple-Inland Forest Products (now Georgia Pacific Building Products)	303 S. Temple Drive Diboll, TX 75941	TX	Gary Keeling Email: garykeeling@templeinland.com Tel: 800-231-6060 Fax: 888-434-0002
Landscaping: Compost	Material: Yard Trimmings	Silver Creek Materials, Inc.	P.O. Box 150665 Fort Worth, TX 76108	TX	Sales Department Email: colby@silvercreekmaterials.com Tel: 817-246-2426 Fax: 817-367-3413
Landscaping: Compost	Material: Yard Trimmings (100% Post-consumer; 100% Total Recovery)	Recom	4705 W Industrial Avenue Midland, TX 79703	TX	Email: geostability@yahoo.com Tel: 432-520-2034 Fax: 432-520-2039
Landscaping: Hydraulic Mulch	Material: Paper (100% Post-consumer; 100% Total Recovery)	Tascon Industries, Inc.	P.O. Box 41846 Houston, TX 77241	TX	Jim Adamoli Email: jadamoli@tasconindustries.com

	Product Notes: Made from old newspapers.				Tel: 713-397-0900 Fax: 713-937-1496
Miscellaneous: Blasting Grit	Material: Glass (100% Post-consumer; 100% Total Recovery)	Strategic Materials	16365 Park Ten Place Suite 200 Houston, TX 77084	TX	Tom E. Dudak, Tom Dudak Tel: 281-647-2754 Fax: 281-647-2710
Miscellaneous: Pallets	Material: Wood (100% Post-consumer; 100% Total Recovery) Product Notes: IFCO pallets are 100% reusable, recyclable, and come from a renewable resource.	IFCO SYSTEMS N.A., INC.	6829 Flintlock Road Houston, TX 77040	TX	Hillary Whyard Email: Hillary.Whyard@ifcosystems.com Tel: 813-463-4124
Miscellaneous: Sorbents	Material: Paper (90% Post-consumer; 90% Total Recovery) Product Notes: K-Sorb Hydrophobic Fiber & K-Sorb Hydrophobic Particulate. Used to contain/absorb oil-based spills. Repels water, floats indefinitely. Incinerable, pass EPA Paint Filter Test Method	Ecosorb International	12315 Robin Blvd. Houston, TX 77245	TX	Troy Shulte Email: sales@biocel.com Tel: 713-413-1173 Fax: 713-433-2900
Miscellaneous: Sorbents	Material: Paper (99% Post-consumer; 100% Total Recovery) Product Notes: Source of material is old newspapers.	Tascon Industries, Inc.	P.O. Box 41846 Houston, TX 77241	TX	Jim Adamoli Email: jadamoli@tasconindustries.com Tel: 713-397-0900 Fax: 713-937-1496
Miscellaneous: Sorbents	Material: Paper (98% Post-consumer; 98% Total Recovery) Product Notes: K-Sorb Universal Particulate contains/absorbs industrial spills. K-Sorb Universal Fiber absorbs free liquids in waste prior to disposal. Incinerable, pass EPA Paint Filter Test Method	Ecosorb International	P.O. Box 450005 Houston, TX 77245-0005	TX	Troy Shulte Email: sales@ecosorb.com Tel: 713-413-1173 Fax: 713-433-2029
Nonpaper Office: Binders (plastic covered, chipboard, pressboard)	Material: Plastic (37-60% Post-consumer; 44-56% Total Recovery)	Samsill Corporation	5740 Hartman Rd. Fort Worth, TX 76180	TX	Customer Service Email: customerservice@samsill.com Tel: 800-255-1100 Fax: 817-535-6900
Nonpaper Office: Plastic Trash Bags	Material: Plastic (10% Post-consumer; 50% Total Recovery)	Poly-America, L.P.	2000 West Marshall Drive Grand Prairie, TX 75051	TX	Trent Mallory Email: trentm@poly- Tel: 972 337-7344, 800-527- Fax: 972 337-8344
Nonpaper Office:	Material: Remanufactured	Cartridge World West	4036 Bellaire Blvd	TX	Kathy Ranjbar

Toner Cartridges	Company Notes: Certified refills and remanufacturing with disassembling and cleaning of all major cartridge brands including full-color, high-speed printer/copiers and multi-function printers.	U/Bellaire	Houston, TX 77025		Email: refill@cartridgeworldwestu.com Tel: 713-518-1484 Fax: 713-518-1543
Nonpaper Office: Toner Cartridges	Material: Remanufactured Company Notes: Certified refills and remanufacturing with disassembling and cleaning of all major cartridge brands including full-color, high-speed printer/copiers and multi-function printers.	Cartridge World of San Antonio	7959 Fredericksburg Rd., Ste 213 , TX 78229	TX	Ray Edinger Email: rayedinger@yahoo.com Tel: 210.949.0565 Fax: 210.949.0667
Nonpaper Office: Toner Cartridges	Material: Remanufactured (75-98% Total Recovery) Schedule: GSA # GS02F0076R & TXMAS-9-75020 Company Notes: Woman-owned business	Precision Imaging	PO BOX 26046 El Paso, TX 79926	TX	Maria Garcia Email: maria@precisionimaging.com Tel: 914-241-9190 Fax: 915-356-1885
Nonpaper Office: Toner Cartridges	Material: Remanufactured Schedule: GSA	Computer Wholesale Products of America, Inc.	P.O. Box 11309 Spring, TX 77391-1309	TX	Michelle Kalkoff Email: marketing@cwpa.com Tel: 800-421-0315 Fax: 866-499-5921
Paper and Paper Products: Printing and Writing Paper	Material: Paper (80% Post-consumer; 80% Total Recovery) Schedule: GSA (GS-14F-0050L)	Dolphin Blue, Inc.	7324 Gaston Ave. #124-416 Dallas, TX 75214-6218	TX	Tom Kemper Email: dbdesk@dolphinblue.com Tel: 800-932-7715 Fax: 214-565-7835
Paper and Paper Products: Printing and Writing Paper	Material: Paper (30% Post-consumer; 30% Total Recovery) Schedule: GSA (GS-14F-0050L)	Dolphin Blue, Inc.	7324 Gaston Ave. #124-416 Dallas, TX 75214-6218	TX	Tom Kemper Email: dbdesk@dolphinblue.com Tel: 800-932-7715 Fax: 214-565-7835
Park & Recreation: Park Benches and Picnic Tables	Material: Plastic (100% Post-consumer; 100% Total Recovery) Material: Plastic Composite (100% Post-consumer; 100% Total Recovery) Schedule: GSA	Grounds for Play, Inc.	1401 E. Dallas Street Mansfield, TX 76063	TX	Emily Smith Email: sales@groundsforplay.com Tel: 800-552-7529, 817-477- Fax: 817-477-1140

	Product Notes: Manufactures picnic tables and park benches from plastic lumber made from 100 percent postconsumer HDPE and wood/plastic composite lumber.				
Park & Recreation: Playground Equipment	<p>Material: Aluminum (100% Total Recovery)</p> <p>Material: Plastic Composite (100% Post-Consumer; 100% Total Recovery)</p> <p>Material: Rubber (55-66% Total Recovery)</p> <p>Material: Steel (50% Total Recovery)</p> <p>Schedule: GSA</p> <p>Product Notes: Product incorporates Trex plastic lumber and recycled content steel, aluminum, and rubber</p>	Grounds for Play, Inc.	1401 E. Dallas Street Mansfield, TX 76063	TX	<p>Emily Smith</p> <p>Email: sales@groundsforplay.com</p> <p>Tel: 800 552-7529</p> <p>Fax: 817 477-1140</p>
Vehicular: Re-Refined Lubricating Oil	<p>Material: Remanufactured</p> <p>Product Notes: Engine lube. oil (quart, pail, drum, gal): 5W30, 10W30, 10W40, 15W40, 10WSAE, 20WSAE, 30WSAE, 40WSAE, 50WSAE, 20W50; Hydraulic fluid (pail, drum); Gear oil (pail, keg, drum), 80W90/GL5 also in gal.</p> <p>Company Notes: Manufacturer</p>	Safety-Kleen Oil Recovery	5400 Legacy Drive Cluster II, Building 3 Plano, TX 75024	TX	<p>Email: info@safety-kleen.com</p> <p>Tel: (800) 669-5740</p> <p>Fax: 972-265-2990</p>
Vehicular: Re-Refined Lubricating Oil	<p>Material: Remanufactured</p> <p>Product Notes: Brand: Enviroil. Products: Engine lube. oil (10W30); Quarts, drums, bulk. Anti-wear hydraulic oil (ISO 32, 46 and 68 grades); Drums, bulk. Diesel engine lube. oil (15W40, SAE30);</p> <p>Company Notes: Vendor/distributor</p>	LyondellBasell Industries	12000 Lawndale Avenue P.O. Box 2451 Houston, TX 77252-2451	TX	<p>Rod Dougan</p> <p>Tel: 713-321-4310</p> <p>Fax: 713-321-4700</p>
Vehicular: Re-Refined Lubricating Oil	<p>Material: Remanufactured</p> <p>Product Notes: 76 Firebird: LD Motor Oil (passenger cars); HD Motor Oil (HD trucks/mixed); Tractor Hydraulic Fluid (farm); 5005 GEO (nat. gas engines); AW (ind./mobile hydraulic sys);</p>	76 Lubricants (ConocoPhillips)	600 North Dairy Ashford 2W9076 Houston, TX 77079	TX	<p>Email: 76lubricants@conocophillips.com</p> <p>Tel: (281) 293-1000</p> <p>Fax: (832)486-2886</p>